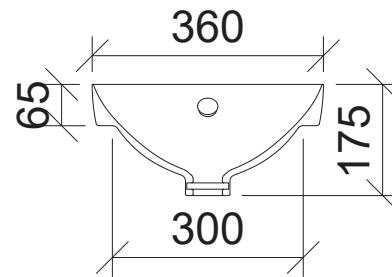
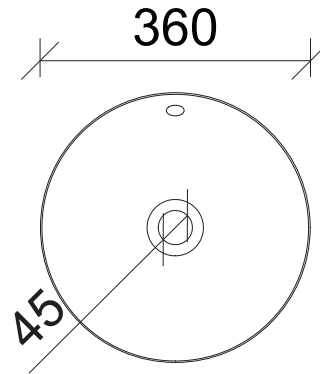
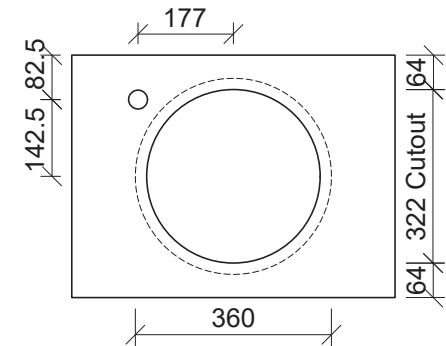


## Henry

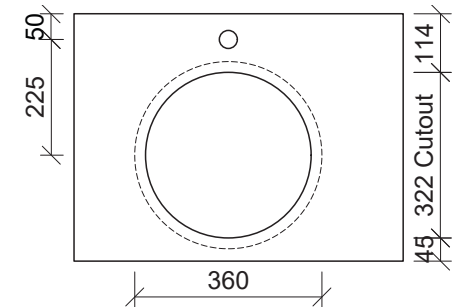
WG White Gloss  
HEN-BS-360-WG-S



Taphole Offset



Taphole Behind



Inset

Drawings

Cut Out Specifications

**Material:** Ceramic  
**Approx Capacity:** 7.5L  
**Cut Out Size:** 322mm  
**Waste Size:** 32mm with overflow

**Note:** Due to the manufacturing process, ceramic basins will vary from their nominal stated sizes. Use the dimensions provided as a guide only. Waste not included. Refer to brochure for pricing.