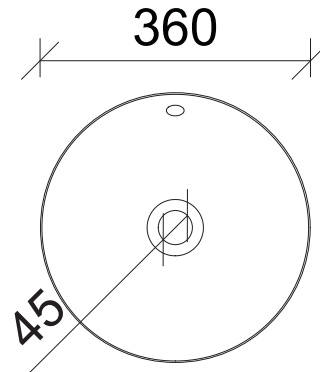
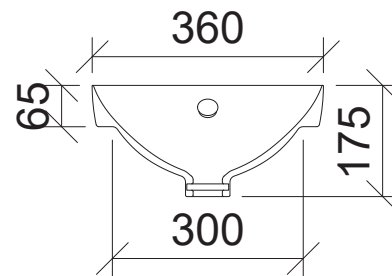
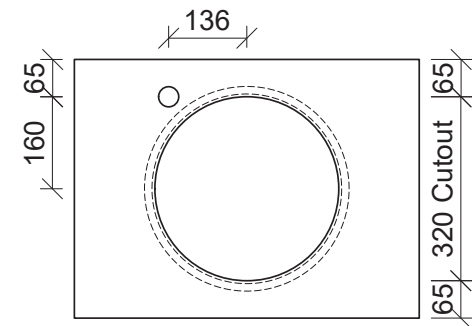


Henry Under Counter

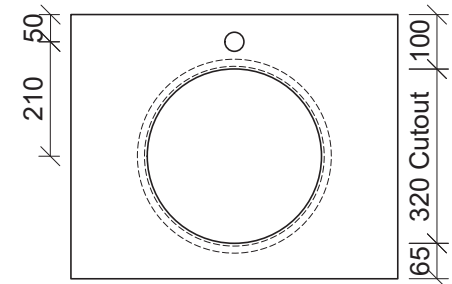
WG White Gloss
HENU-BS-360-WG-S



Taphole Offset



Taphole Behind



Under Counter

Drawings

Cut Out Specifications

Material: Ceramic
Approx Capacity: 7.5L
Cut Out Size: 320mm
Waste Size: 32mm with overflow

Note: Due to the manufacturing process, ceramic basins will vary from their nominal stated sizes. Use the dimensions provided as a guide only. Waste not included. Refer to brochure for pricing.