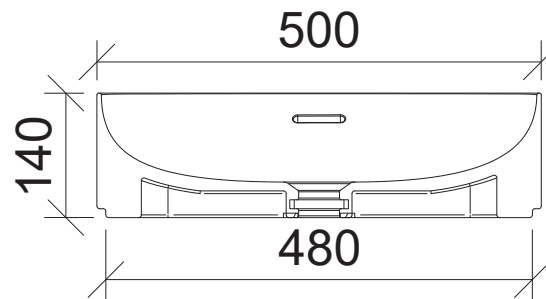
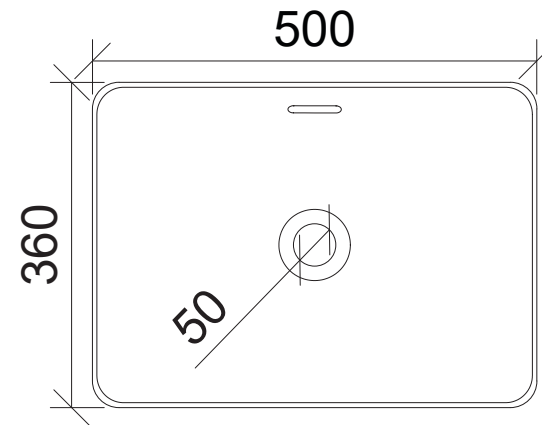
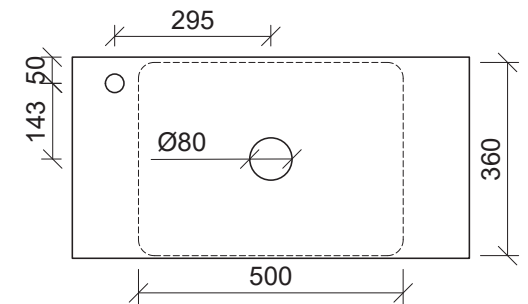


August

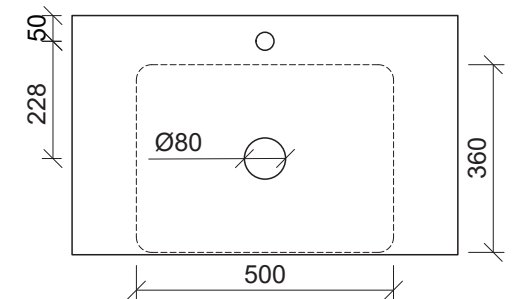
WG White Gloss
AUG-BS-500-WG-S



Taphole Offset



Taphole Behind



Above Counter

Drawings

Cut Out Specifications

Material: Ceramic
Approx Capacity: 12.2L
Cut Out Size: 80mm
Waste Size: 32mm with overflow

Note: Due to the manufacturing process, ceramic basins will vary from their nominal stated sizes. Use the dimensions provided as a guide only. Waste not included. Refer to brochure for pricing.