

Fergus Semi-Recessed

WG White Gloss
FER-BS-500-WG-U



Inset

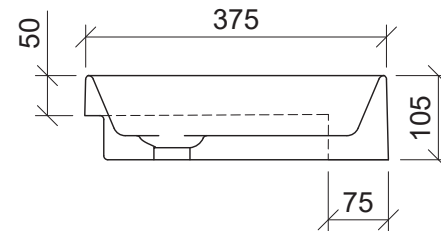
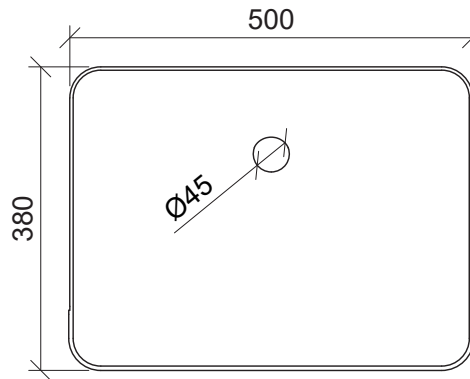
Material: Mineral Composite

Approx Capacity: 10L

Cut Out Size: 487w x 195d

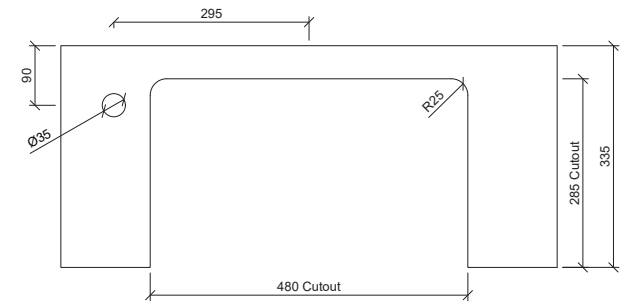
Waste Size: 40mm with overflow

Note: Waste not included. Refer to brochure for pricing.

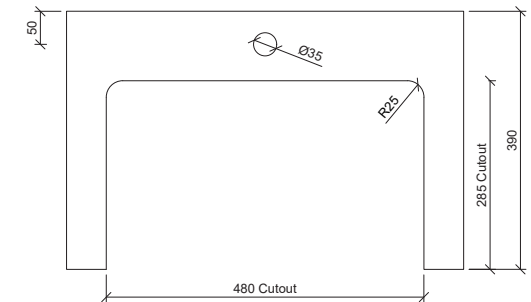


Drawings

Taphole Offset



Taphole Behind



Cut Out Specifications