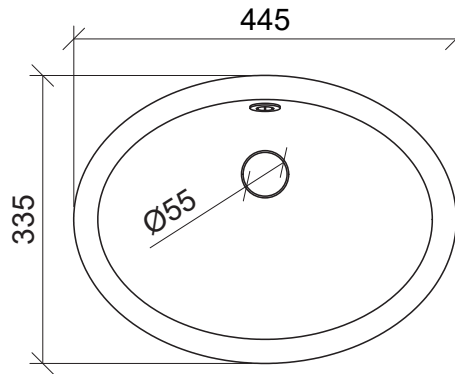
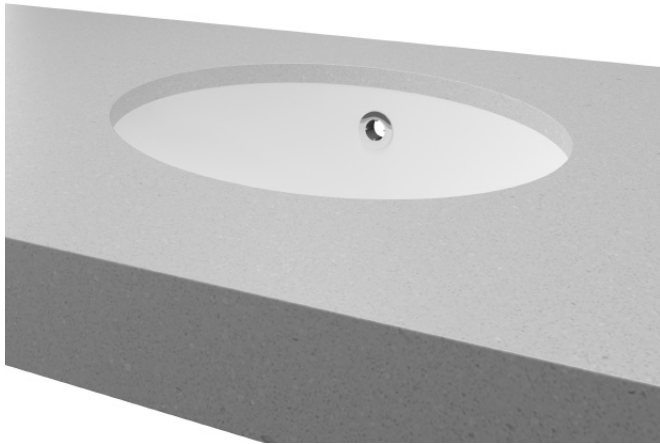
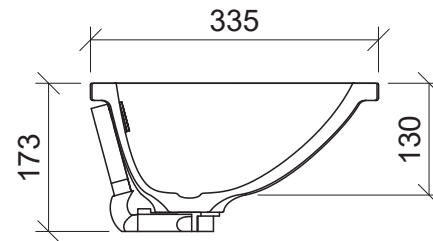
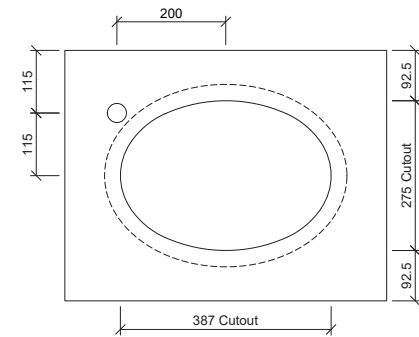


Amara Under Counter

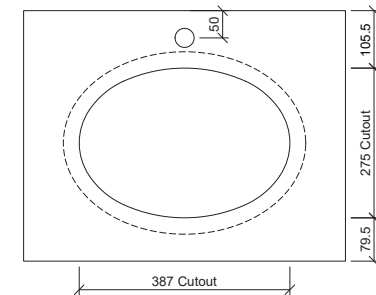
WG White Gloss
AMA-BS-450-WG-U



Taphole Offset



Taphole Behind



Inset

Drawings

Cut Out Specifications

Material: Mineral Composite

Approx Capacity: 3L

Cut Out Size: 387w x 275d

Waste Size: 40mm with overflow

Note: Waste not included. Refer to brochure for pricing.