



Range	Huron
Mount	Wall Hung
Size	900 Centre Bowl
SKU	HUR-VCO-900-C-X-W

TOP DETAILS

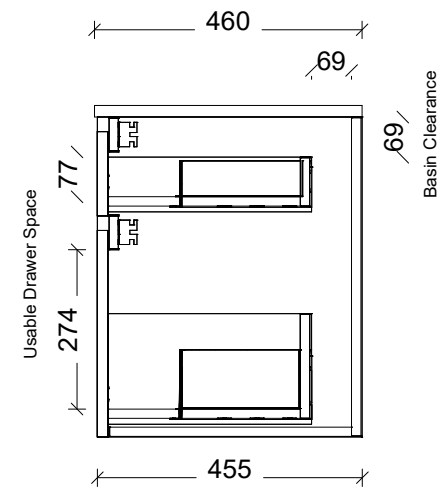
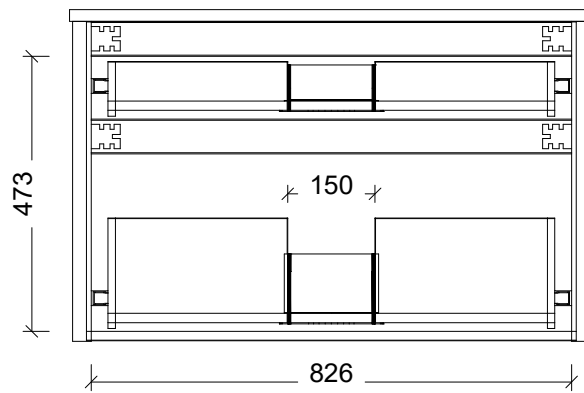
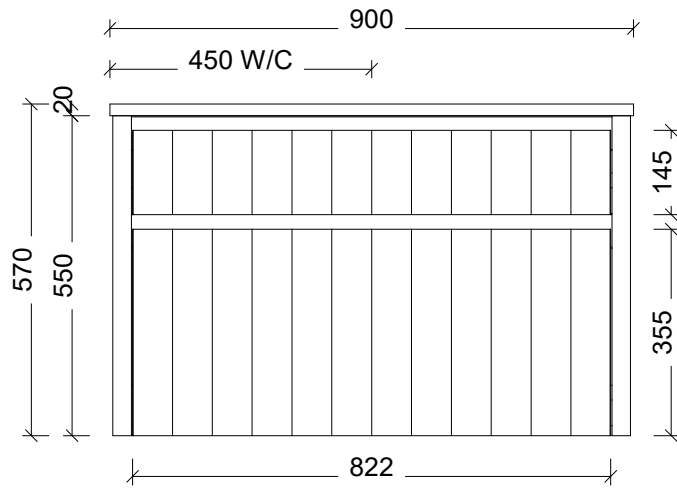
Available Tops 1. SilkSurface 20mm

NOTES

Revision	01
Date	29/08/23

DIMENSIONS SHOWN ARE IN MILLIMETERS, ARE NOMINAL ONLY AND SUBJECT TO CHANGE AT ANY TIME.
DO NOT SCALE DRAWINGS.
INSTALLER TO CONFIRM ALL DIMENSIONS ON-SITE PRIOR TO INSTALL.
SIZE VARIATION (+/- 3%) IS TO BE EXPECTED ON CERAMIC TOPS.
E&OE.

©



Timberline

22 Myrtle Drive, Armidale NSW 2350
www.timberline.com.au
02 6773 8500