

## Cove Grand

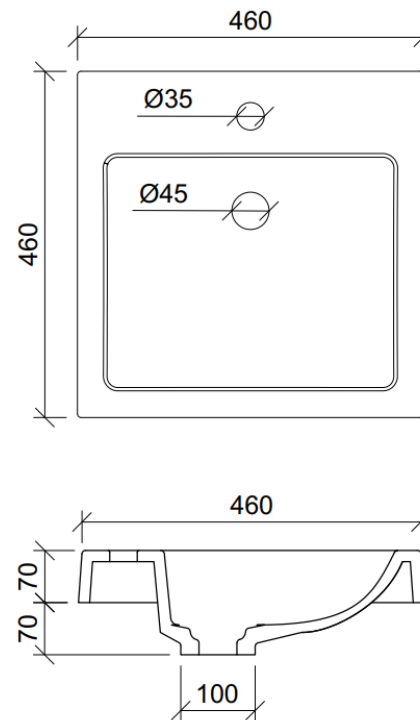
**WG** White Gloss  
COV-BS-460-WG-U



**Inset**

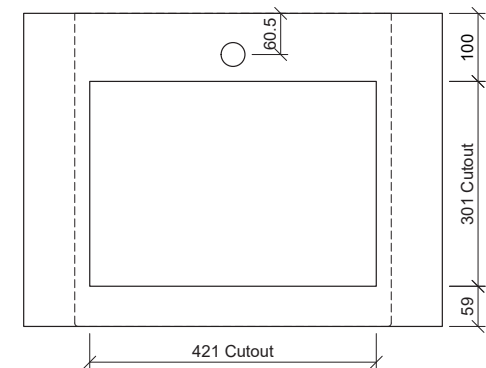
**Material:** Mineral Composite  
**Approx Capacity:** 9.8L  
**Cut Out Size:** 421w x 301d  
**Waste Size:** 50mm without overflow

**Note:** Waste not included. Refer to brochure for pricing.



**Drawings**

Taphole Behind



**Cut Out Specifications**