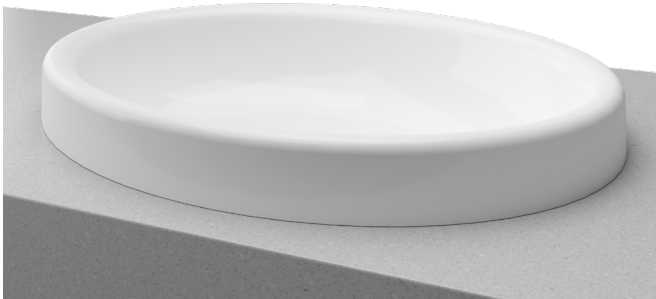
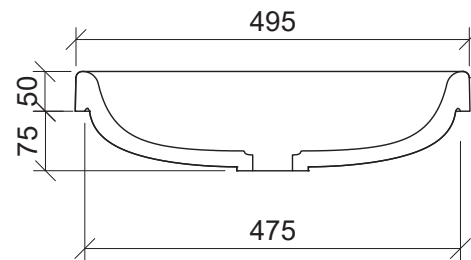
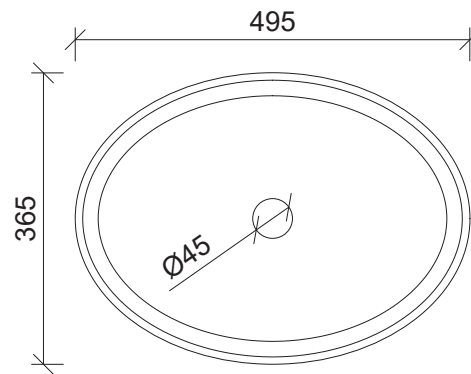


## Coast

**WG** White Gloss  
COA-BS-495-WG-U



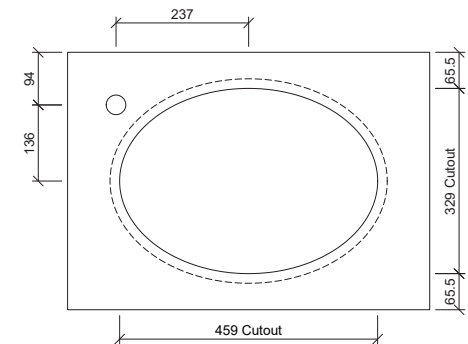
**Inset**



**Drawings**

### Taphole Offset

**Note:** Offset or wall mounted tapware required.



**Cut Out Specifications**

**Material:** Mineral Composite  
**Approx Capacity:** 8.6L  
**Cut Out Size:** 459w x 329d  
**Waste Size:** 40mm without overflow

**Note:** Waste not included. Refer to brochure for pricing.