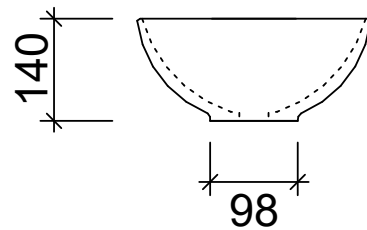
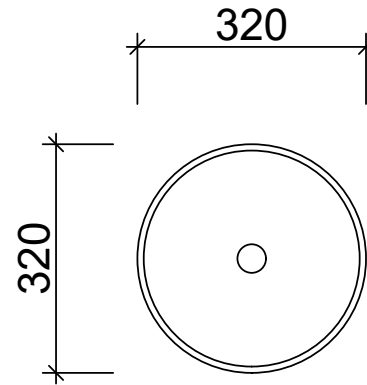


## Rose

WG White Gloss  
ROS-BS-320-WG-S

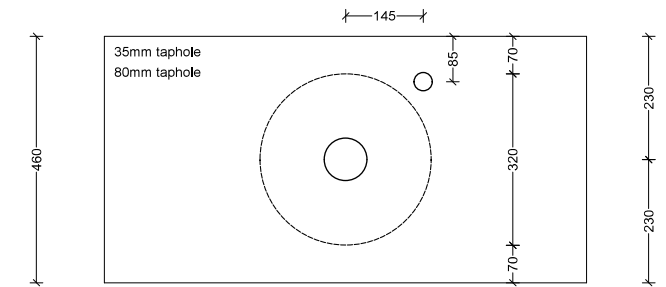


Above Counter

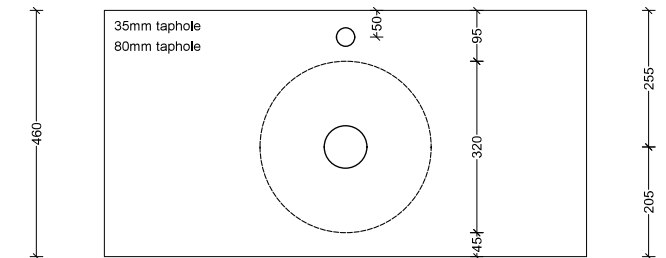


Drawings

### Taphole Offset



### Taphole Behind



Cut Out Specifications

**Approx Capacity:** 5L

**Cut Out Size:** 80mm

**Waste Size:** 32mm without overflow

**Note:** Due to the manufacturing process, ceramic basins will vary from their nominal stated sizes. Use the dimensions provided as a guide only. Waste not included. Refer to brochure for pricing.