

Radius

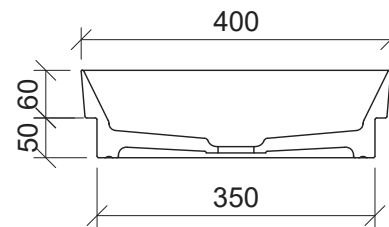
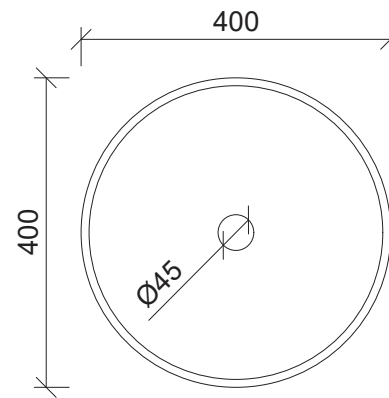
WG White Gloss
RAD-BS-400-WG-S

WM White Matt
RAD-BS-400-WM-S

BM Black Matt
RAD-BS-400-BKM-S



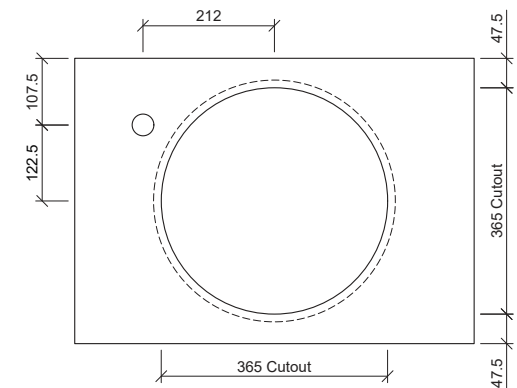
Inset



Drawings

Taphole Offset

Note: Offset or wall mounted tapware required.



Cut Out Specifications

Material: Ceramic

Approx Capacity: 9.4L

Cut Out Size: 365mm

Waste Size: 32mm without overflow

Note: Due to the manufacturing process, ceramic basins will vary from their nominal stated sizes. Use the dimensions provided as a guide only. Waste not included. Refer to brochure for pricing.