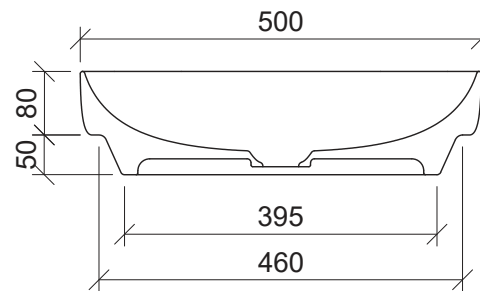
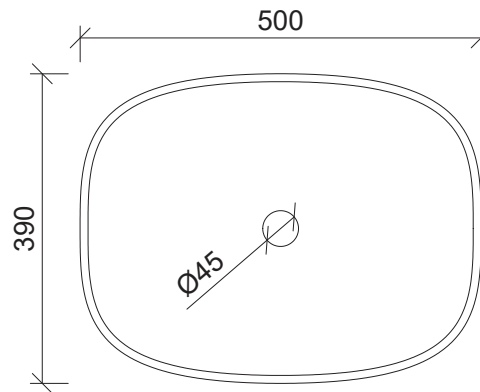


Lorenzo

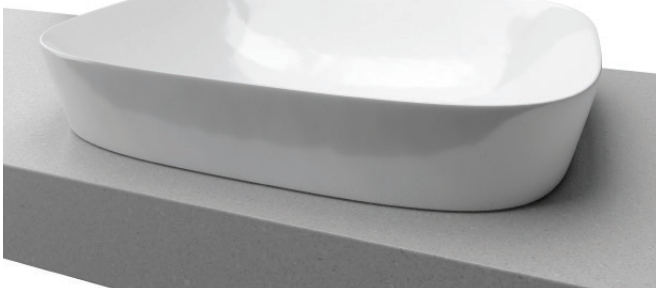
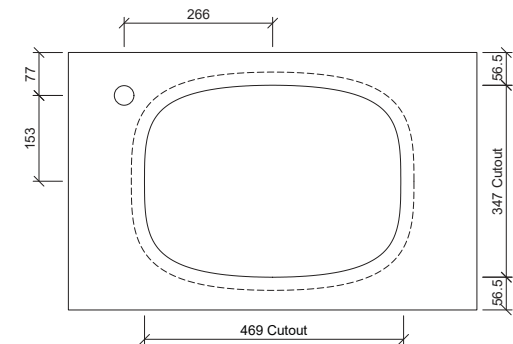
WG White Gloss
LOR-BS-500-WG-S

WM White Matt
LOR-BS-500-WM-U



Taphole Offset

Note: Offset or wall mounted tapware required.



Inset

Drawings

Cut Out Specifications

Material: Ceramic

Approx Capacity: 11.4L

Cut Out Size: 469w x 347d

Waste Size: 32mm without overflow

Note: Due to the manufacturing process, ceramic basins will vary from their nominal stated sizes. Use the dimensions provided as a guide only. Waste not included. Refer to brochure for pricing.