

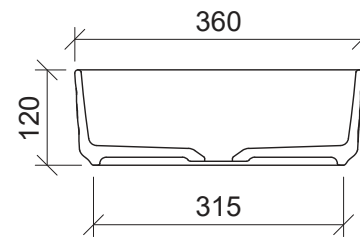
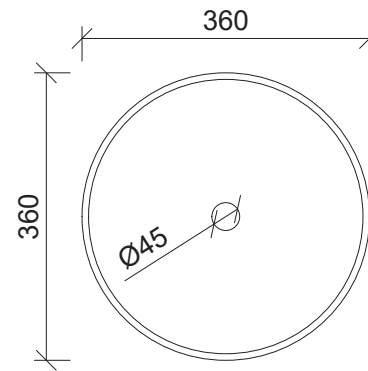
Diamond

WG White Gloss
DIA-BS-360-WG-S

WM White Matt
DIA-BS-360-WM-U

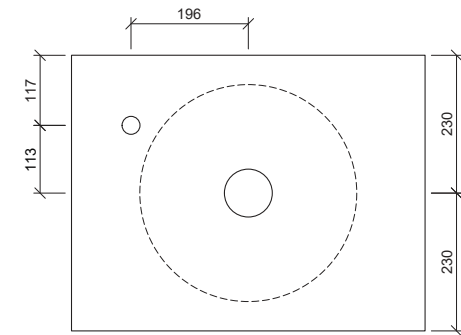


Above Counter

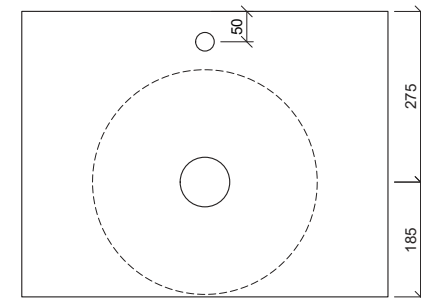


Drawings

Taphole Offset



Taphole Behind



Cut Out Specifications

Material: Ceramic
Approx Capacity: 8.5L
Cut Out Size: 80mm
Waste Size: 32mm without overflow

Note: Due to the manufacturing process, ceramic basins will vary from their nominal stated sizes. Use the dimensions provided as a guide only. Waste not included. Refer to brochure for pricing.