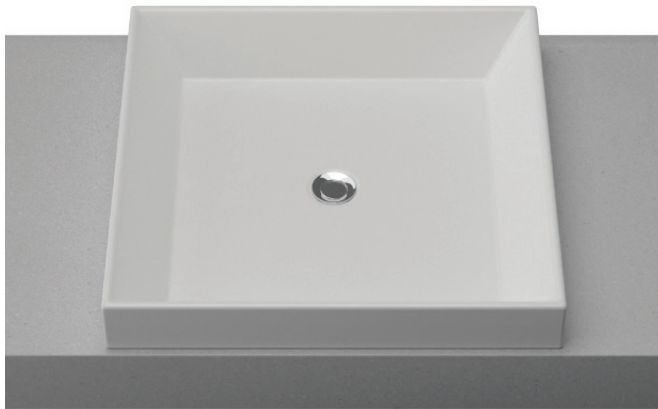
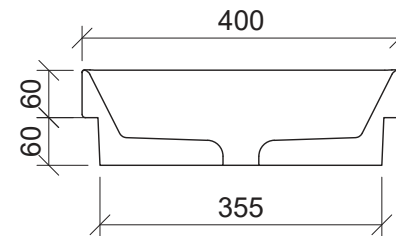
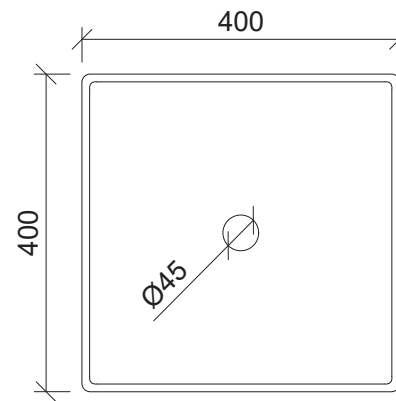


Arcade

WG White Gloss
ARC-BS-400-WG-S



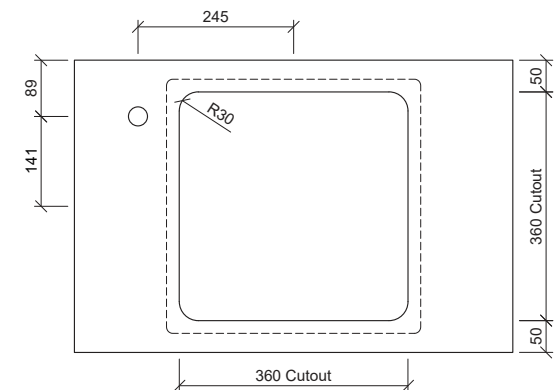
Inset



Drawings

Taphole Offset

Note: Offset or wall mounted tapware required.



Cut Out Specifications

Material: Ceramic
Approx Capacity: 10.6L
Cut Out Size: 360w x 360d
Waste Size: 32mm without overflow

Note: Due to the manufacturing process, ceramic basins will vary from their nominal stated sizes. Use the dimensions provided as a guide only. Waste not included. Refer to brochure for pricing.