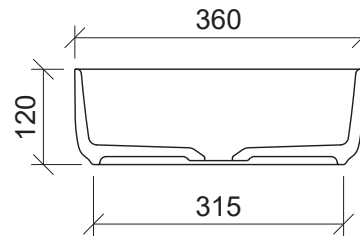
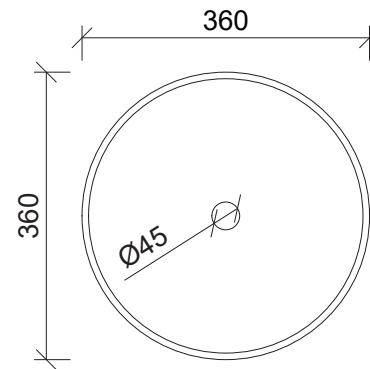
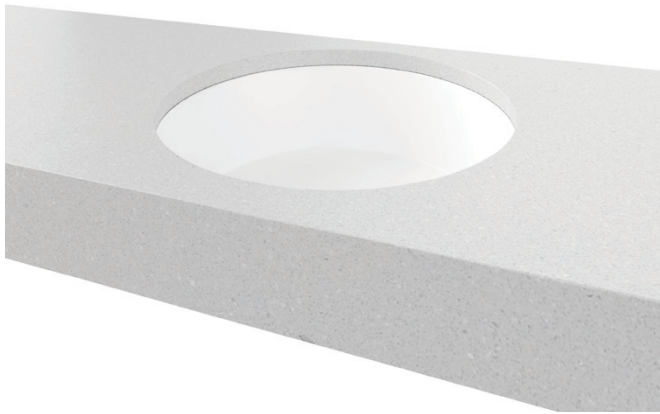
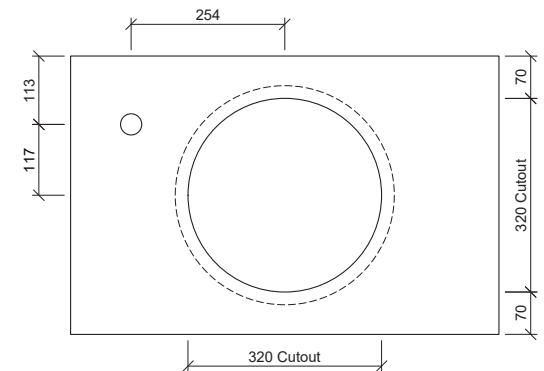


Allure Under Counter

WG White Gloss	WM White Matt	BM Black Matt	ANT Anthracite	GM Grey Matt	LGM Light Grey Matt	PM Pink Matt
ALLU-BS-360-WG-S	ALLU-BS-360-WM-U	ALLU-BS-360-BM-U	ALLU-BS-360-ANT-U	ALLU-BS-360-GM-U	ALLU-BS-360-LGM-U	ALLU-BS-360-PM-U



Taphole Offset



Under Counter

Drawings

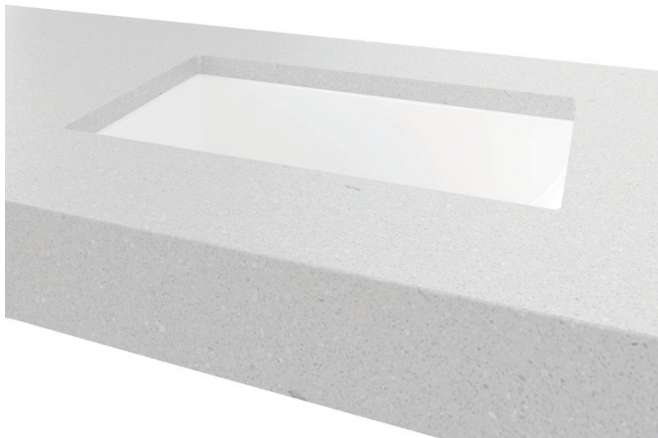
Cut Out Specifications

- Material:** Ceramic
- Approx Capacity:** 8.5L
- Cut Out Size:** 320mm
- Waste Size:** 32mm without overflow

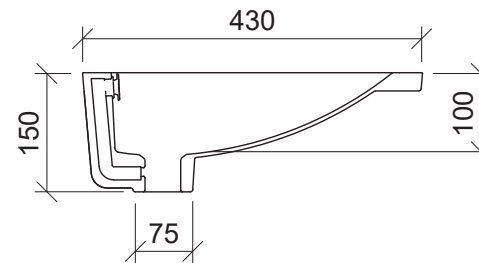
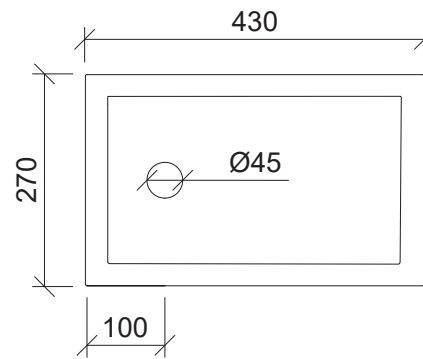
Note: Due to the manufacturing process, ceramic basins will vary from their nominal stated sizes. Use the dimensions provided as a guide only. Waste not included. Refer to brochure for pricing.

Mini Rectangle Under Counter

WG White Gloss
MRE-BS-425-WG-S

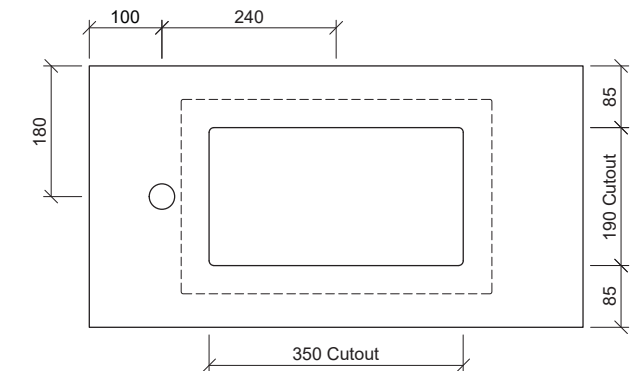


Under Counter



Drawings

Taphole Offset



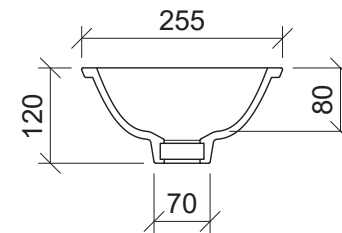
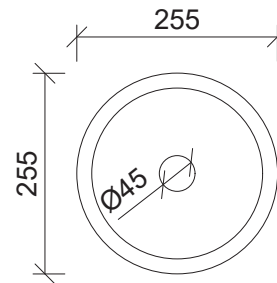
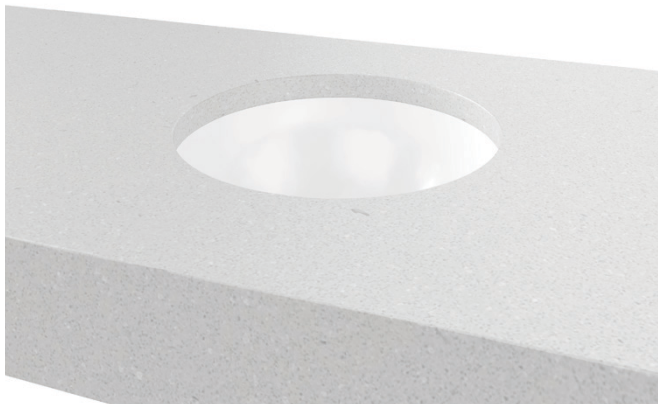
Cut Out Specifications

Material: Ceramic
Approx Capacity: 5.2L
Cut Out Size: 350w x 190d
Waste Size: 32mm with overflow

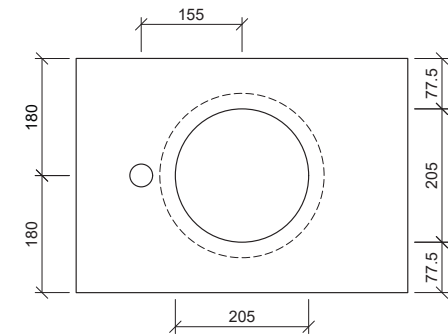
Note: Due to the manufacturing process, ceramic basins will vary from their nominal stated sizes. Use the dimensions provided as a guide only. Waste not included. Refer to brochure for pricing.

Mini Round Under Counter

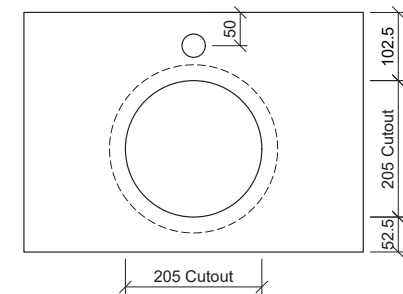
WG White Gloss
MRO-BS-255-WG-S



Taphole Offset



Taphole Behind



Under Counter

Drawings

Cut Out Specifications

Material: Ceramic
Approx Capacity: 2L
Cut Out Size: 205mm
Waste Size: 32mm with overflow

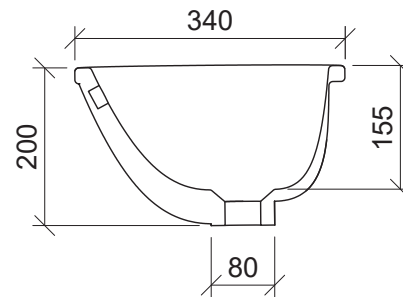
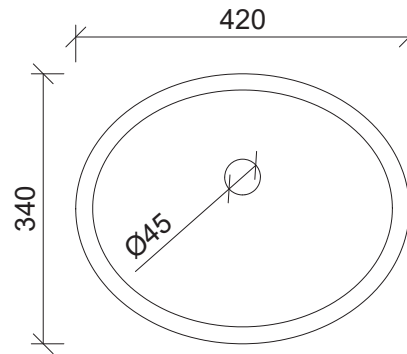
Note: Due to the manufacturing process, ceramic basins will vary from their nominal stated sizes. Use the dimensions provided as a guide only. Waste not included. Refer to brochure for pricing.

Oval Under Counter

WG White Gloss
OVL-BS-420-WG-S

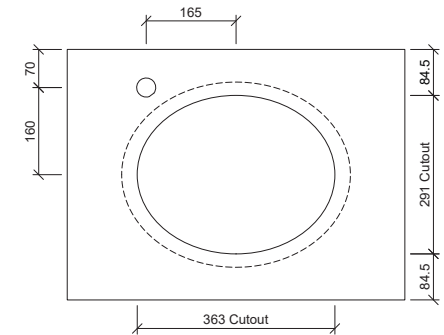


Under Counter

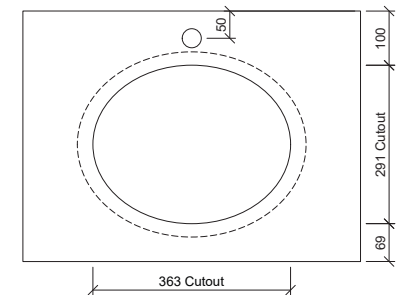


Drawings

Taphole Offset



Taphole Behind



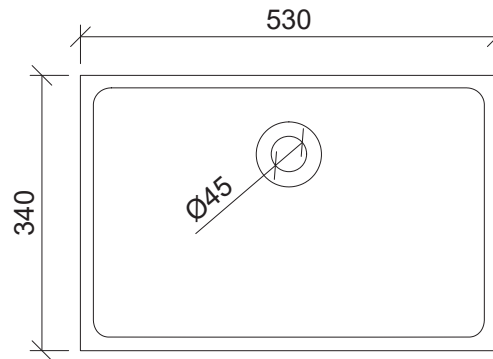
Cut Out Specifications

Material: Ceramic
Approx Capacity: 8.7L
Cut Out Size: 363w x 291d
Waste Size: 32mm with overflow

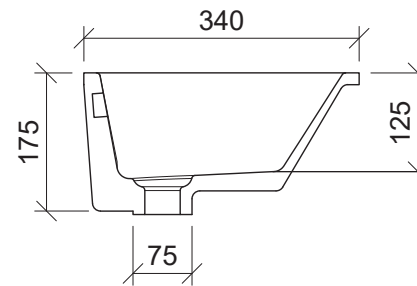
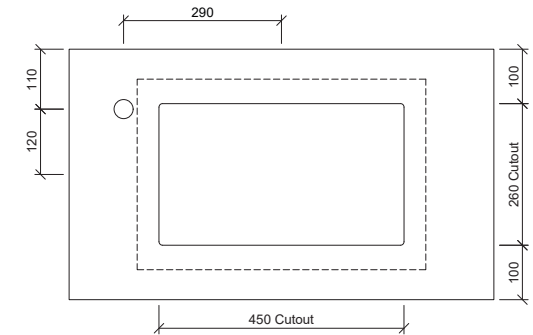
Note: Due to the manufacturing process, ceramic basins will vary from their nominal stated sizes. Use the dimensions provided as a guide only. Waste not included. Refer to brochure for pricing.

Rectangle Under Counter

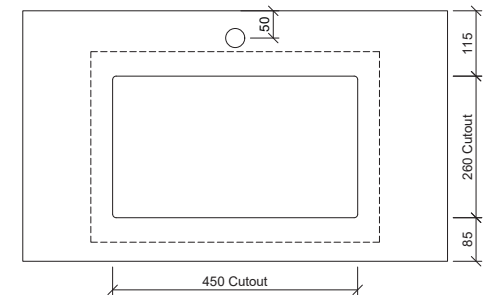
WG White Gloss
REC-BS-530-WG-S



Taphole Offset



Taphole Behind



Under Counter

Drawings

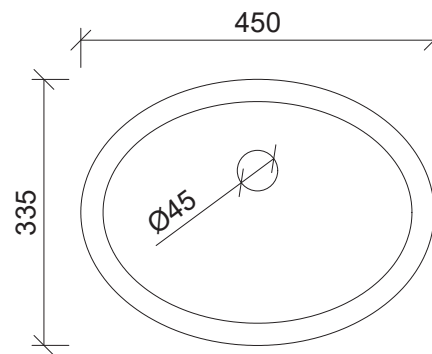
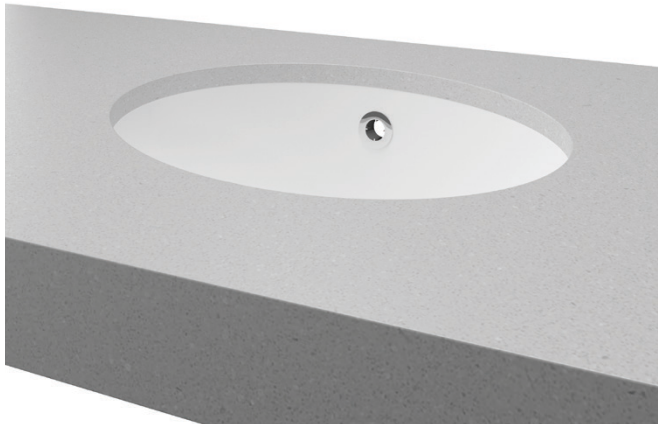
Cut Out Specifications

Material: Ceramic
Approx Capacity: 7.7L
Cut Out Size: 450w x 260d
Waste Size: 32mm with overflow

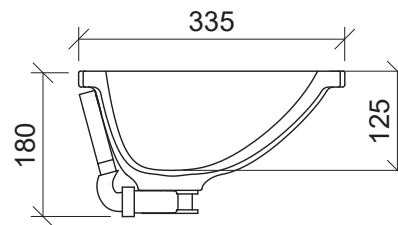
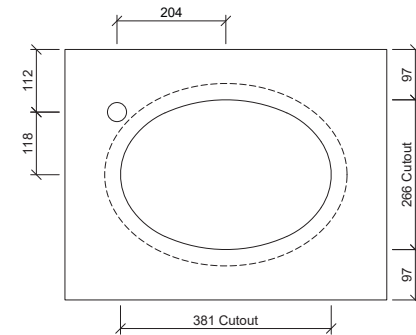
Note: Due to the manufacturing process, ceramic basins will vary from their nominal stated sizes. Use the dimensions provided as a guide only. Waste not included. Refer to brochure for pricing.

Amara Under Counter

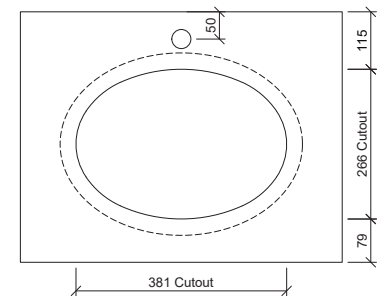
WG White Gloss
AMA-BS-450-WG-U



Taphole Offset



Taphole Behind



Inset

Drawings

Cut Out Specifications

Material: Mineral Composite

Approx Capacity: 3L

Cut Out Size: 381w x 266d

Waste Size: 40mm with overflow

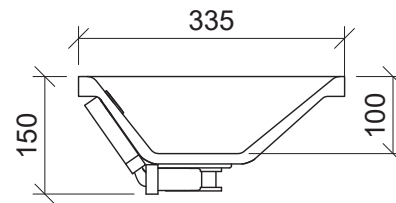
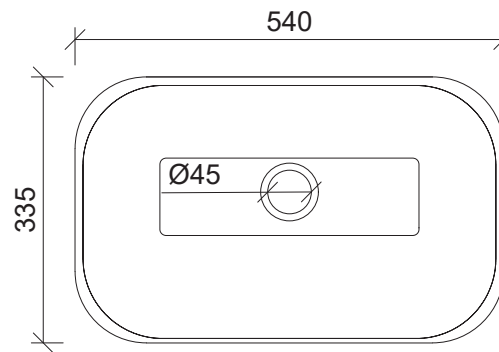
Note: Waste not included. Refer to brochure for pricing.

Bodhi Under Counter

WG White Gloss
BOD-BS-540-WG-U

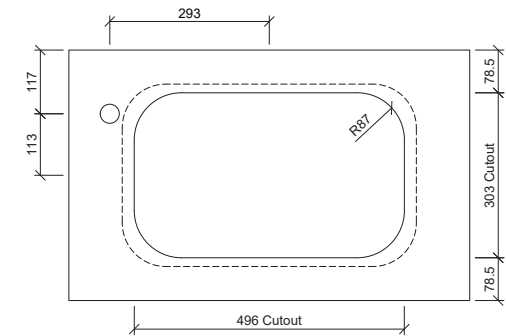


Inset

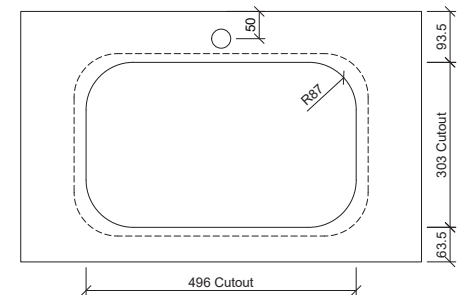


Drawings

Taphole Offset



Taphole Behind



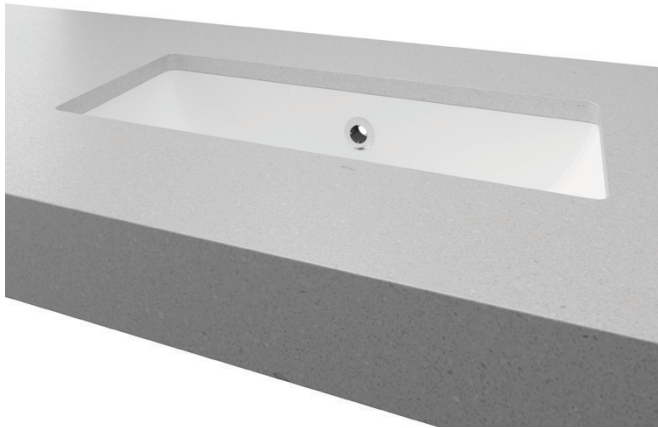
Cut Out Specifications

Material: Mineral Composite
Approx Capacity: 3.5L
Cut Out Size: 496w x 303d
Waste Size: 40mm with overflow

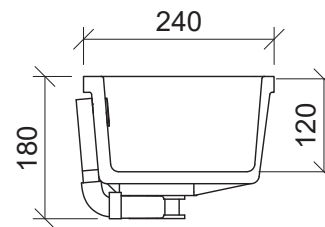
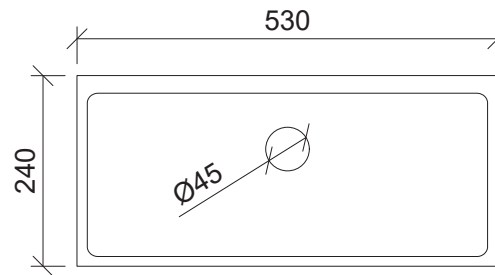
Note: Waste not included. Refer to brochure for pricing.

Ruby Under Counter

WG White Gloss
RUB-BS-530-WG-U

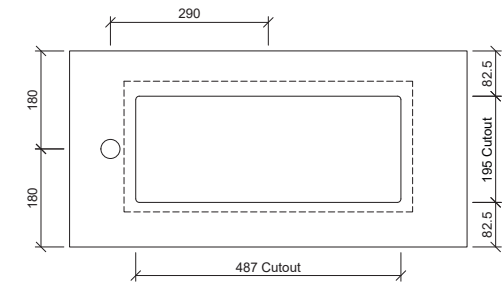


Inset

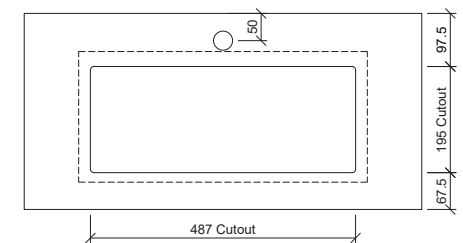


Drawings

Taphole Offset



Taphole Behind



Cut Out Specifications

Material: Mineral Composite

Approx Capacity: 3.5L

Cut Out Size: 487w x 195d

Waste Size: 40mm with overflow

Note: Waste not included. Refer to brochure for pricing.