

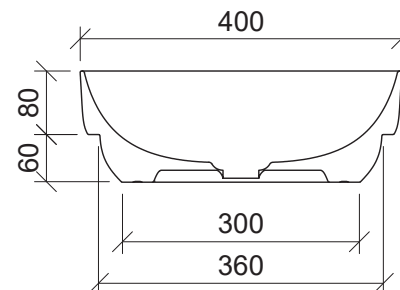
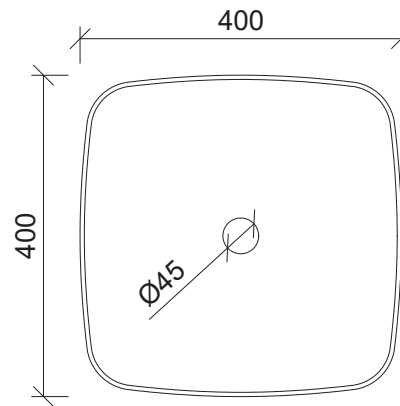
## Addison

**WG** White Gloss  
ADD-BS-400-WG-S

**WM** White Matt  
ADD-BS-400-WM-U



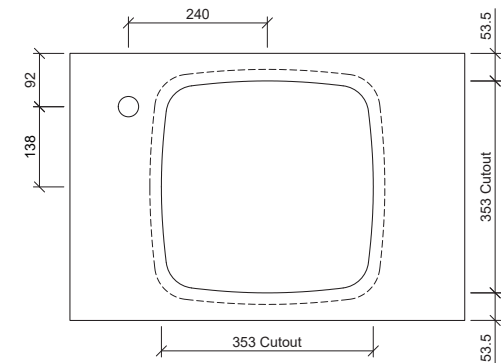
**Inset**



**Drawings**

Taphole Offset

**Note:** Offset or wall mounted tapware required.



**Cut Out Specifications**

**Material:** Ceramic

**Approx Capacity:** 11L

**Cut Out Size:** 353w x 353d

**Waste Size:** 32mm without overflow

**Note:** Due to the manufacturing process, ceramic basins will vary from their nominal stated sizes. Use the dimensions provided as a guide only. Waste not included. Refer to brochure for pricing.

## Allure

**WG** White Gloss  
ALL-BS-360-WG-S

**WM** White Matt  
ALL-BS-360-WM-U

**BM** Black Matt  
ALL-BS-360-BKM-U

**ANT** Anthracite  
ALL-BS-360-ANT-U

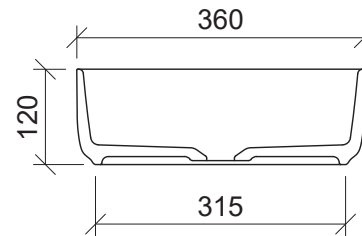
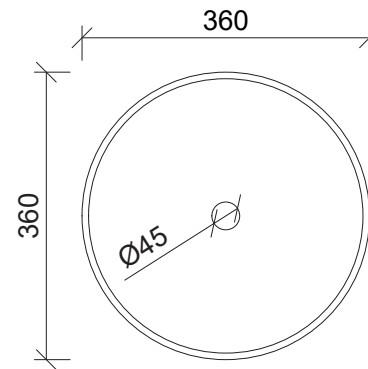
**GM** Grey Matt  
ALL-BS-360-GM-U

**LGM** Light Grey Matt  
ALL-BS-360-LGM-U

**PM** Pink Matt  
ALL-BS-360-PM-U

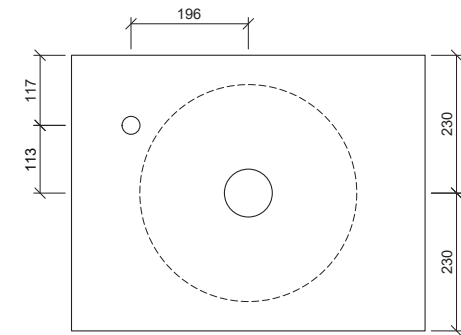


Above Counter

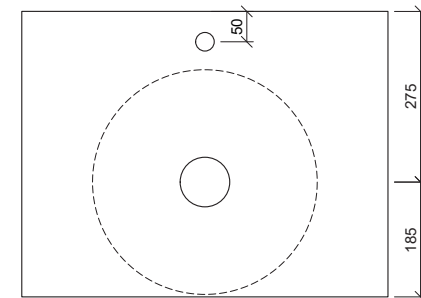


Drawings

Taphole Offset



Taphole Behind



Cut Out Specifications

**Material:** Ceramic  
**Approx Capacity:** 8.5L  
**Cut Out Size:** 80mm  
**Waste Size:** 32mm without overflow

**Note:** Due to the manufacturing process, ceramic basins will vary from their nominal stated sizes. Use the dimensions provided as a guide only. Waste not included. Refer to brochure for pricing.

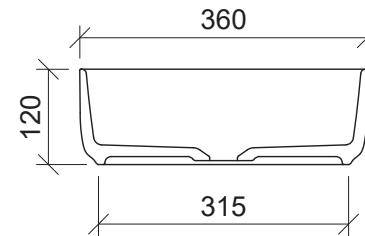
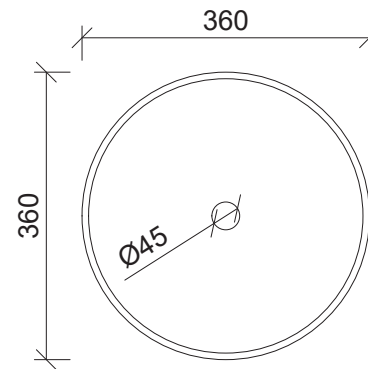
## Allure Arrow

**WG** White Gloss  
ALA-BS-360-WG-S

**WM** White Matt  
ALA-BS-360-WM-U

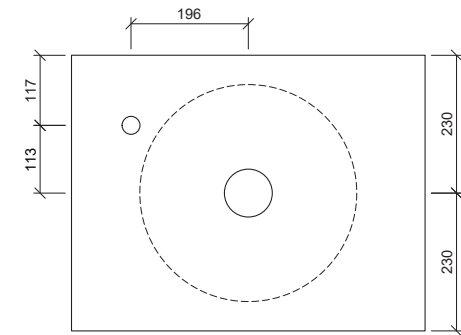


Above Counter

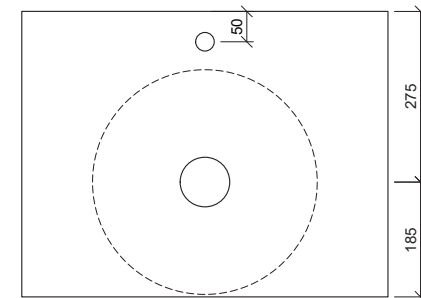


Drawings

Taphole Offset



Taphole Behind



Cut Out Specifications

**Material:** Ceramic  
**Approx Capacity:** 8.5L  
**Cut Out Size:** 80mm  
**Waste Size:** 32mm without overflow

**Note:** Due to the manufacturing process, ceramic basins will vary from their nominal stated sizes. Use the dimensions provided as a guide only. Waste not included. Refer to brochure for pricing.

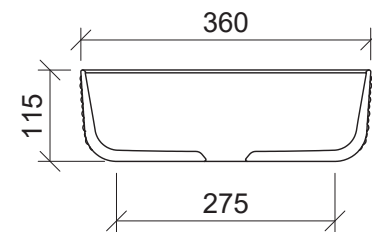
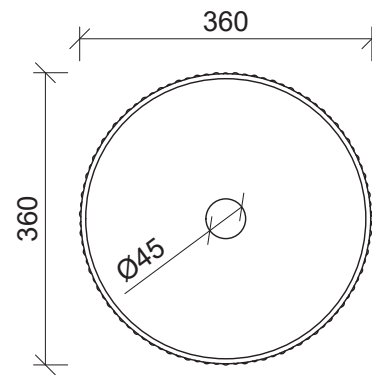
## Allure Dimple

**WG** White Gloss  
ALD-BS-360-WG-S

**WM** White Matt  
ALD-BS-360-WM-U

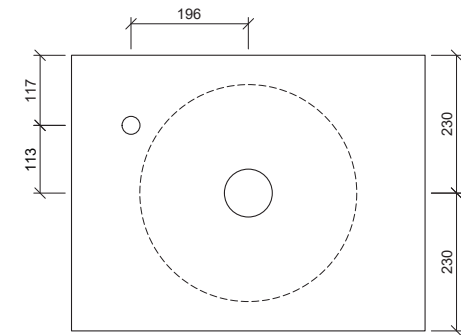


Above Counter

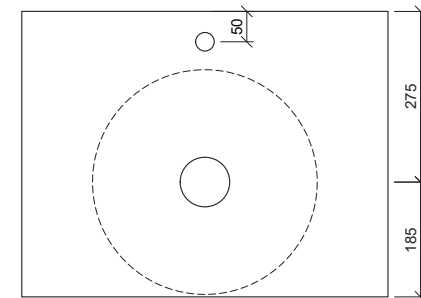


Drawings

Taphole Offset



Taphole Behind



Cut Out Specifications

**Material:** Ceramic  
**Approx Capacity:** 8.5L  
**Cut Out Size:** 80mm  
**Waste Size:** 32mm without overflow

**Note:** Due to the manufacturing process, ceramic basins will vary from their nominal stated sizes. Use the dimensions provided as a guide only. Waste not included. Refer to brochure for pricing.

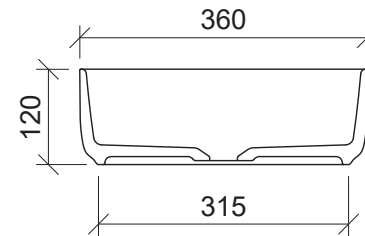
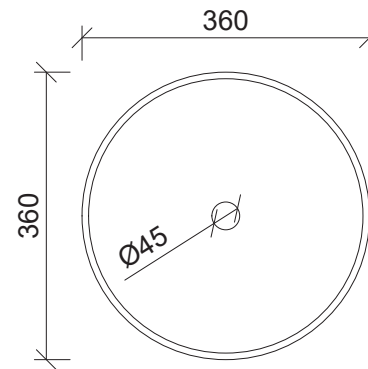
## Allure Flute

**WG** White Gloss  
ALF-BS-360-WG-S

**WM** White Matt  
ALF-BS-360-WM-U

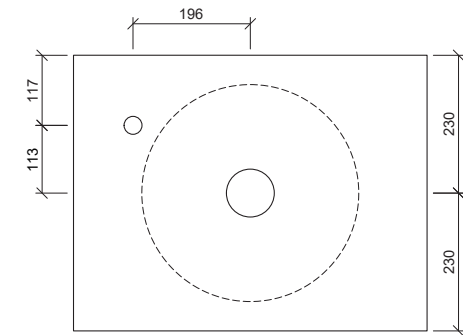


Above Counter

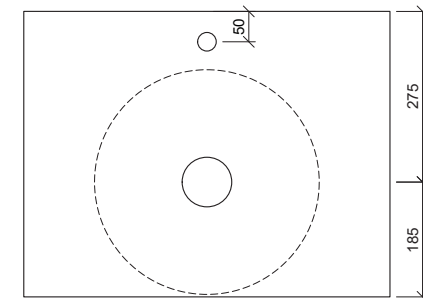


Drawings

Taphole Offset



Taphole Behind



Cut Out Specifications

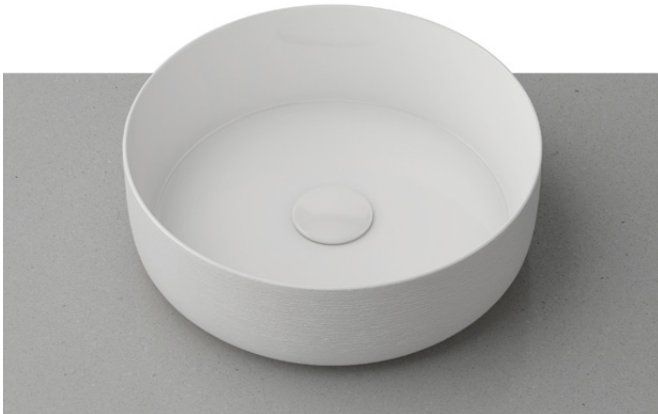
**Material:** Ceramic  
**Approx Capacity:** 8.5L  
**Cut Out Size:** 80mm  
**Waste Size:** 32mm without overflow

**Note:** Due to the manufacturing process, ceramic basins will vary from their nominal stated sizes. Use the dimensions provided as a guide only. Waste not included. Refer to brochure for pricing.

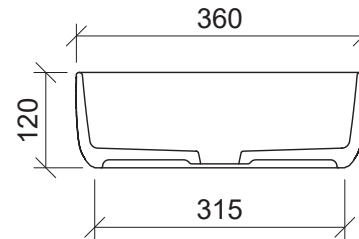
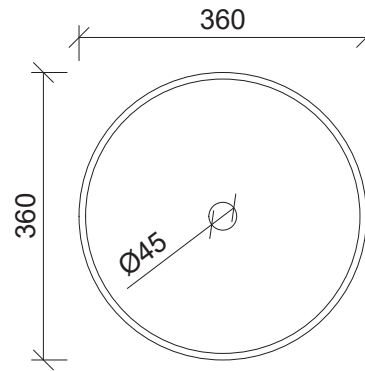
## Allure Raked

**WG** White Gloss  
ALR-BS-360-WG-S

**WM** White Matt  
ALR-BS-360-WM-U

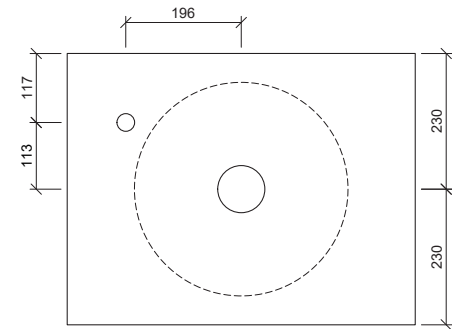


Above Counter

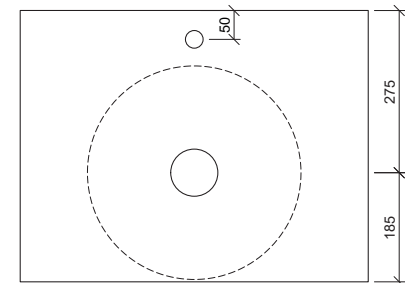


Drawings

Taphole Offset



Taphole Behind



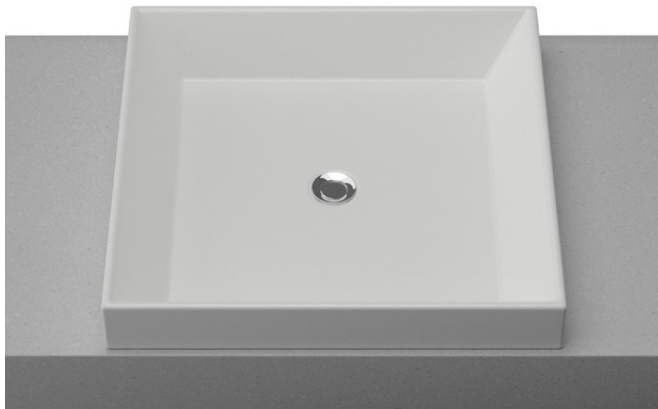
Cut Out Specifications

**Material:** Ceramic  
**Approx Capacity:** 8.5L  
**Cut Out Size:** 80mm  
**Waste Size:** 32mm without overflow

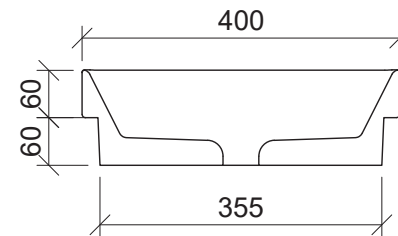
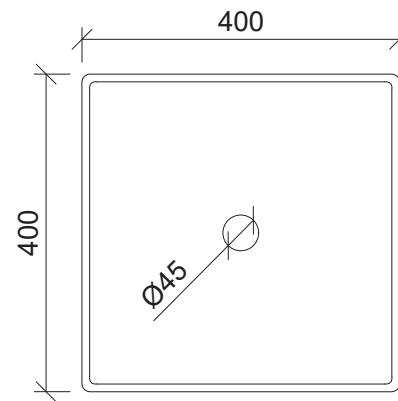
**Note:** Due to the manufacturing process, ceramic basins will vary from their nominal stated sizes. Use the dimensions provided as a guide only. Waste not included. Refer to brochure for pricing.

## Arcade

**WG** White Gloss  
ARC-BS-400-WG-S



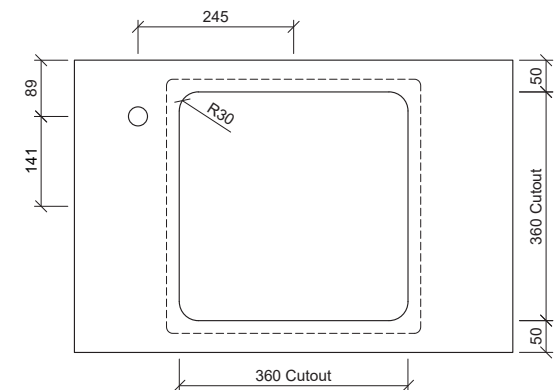
**Inset**



**Drawings**

Taphole Offset

**Note:** Offset or wall mounted tapware required.



**Cut Out Specifications**

**Material:** Ceramic  
**Approx Capacity:** 10.6L  
**Cut Out Size:** 360w x 360d  
**Waste Size:** 32mm without overflow

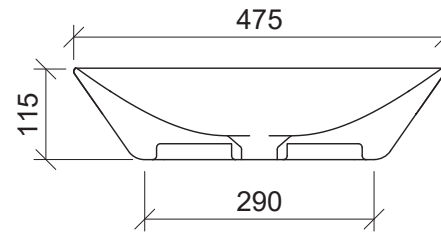
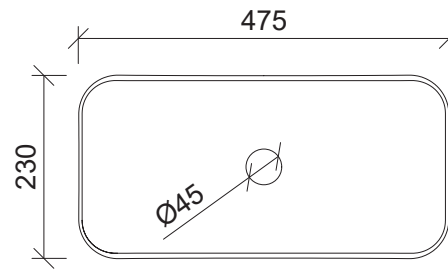
**Note:** Due to the manufacturing process, ceramic basins will vary from their nominal stated sizes. Use the dimensions provided as a guide only. Waste not included. Refer to brochure for pricing.

## Bloom

**WG** White Gloss  
BLO-BS-475-WG-S

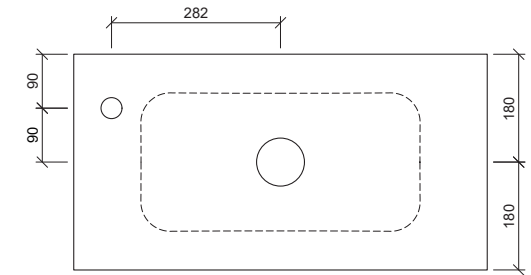


Above Counter

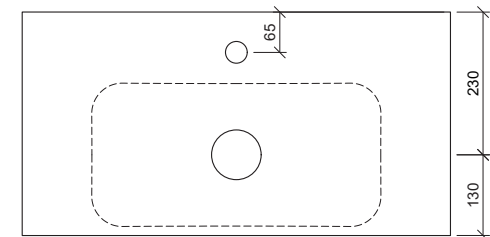


Drawings

Taphole Offset



Taphole Behind



Cut Out Specifications

- Material:** Ceramic
- Approx Capacity:** 4.6L
- Cut Out Size:** 80mm
- Waste Size:** 32mm without overflow

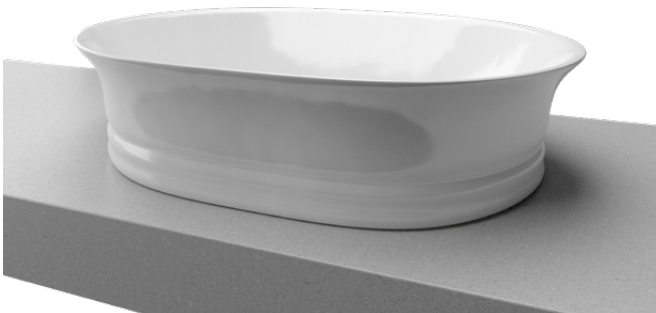
**Note:** Due to the manufacturing process, ceramic basins will vary from their nominal stated sizes. Use the dimensions provided as a guide only. Waste not included. Refer to brochure for pricing.



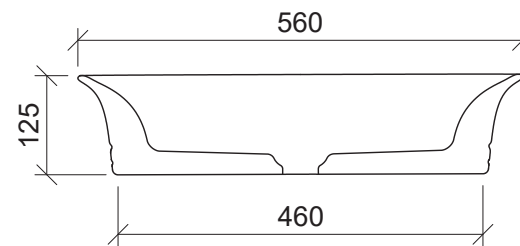
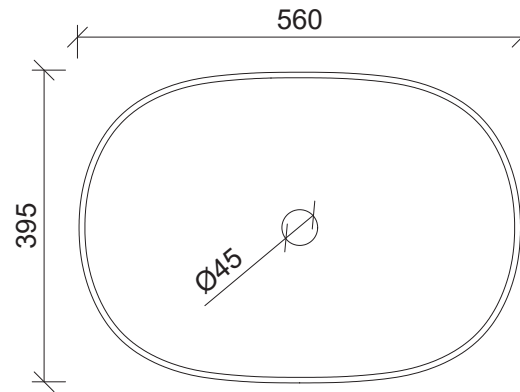
## Bonnie

**WG** White Gloss  
BON-BS-560-WG-S

**WM** White Matt  
BON-BS-560-WM-U



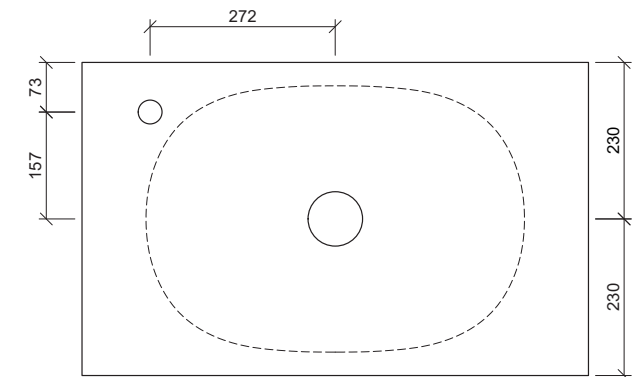
Above Counter



Drawings

Taphole Offset

**Note:** Offset or wall mounted tapware required.



Cut Out Specifications

**Material:** Ceramic  
**Approx Capacity:** 9.3L  
**Cut Out Size:** 80mm  
**Waste Size:** 32mm without overflow

**Note:** Due to the manufacturing process, ceramic basins will vary from their nominal stated sizes. Use the dimensions provided as a guide only. Waste not included. Refer to brochure for pricing.

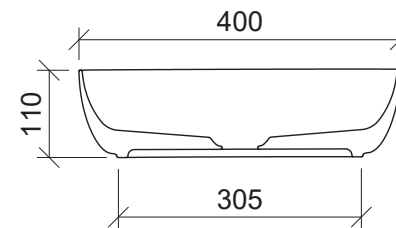
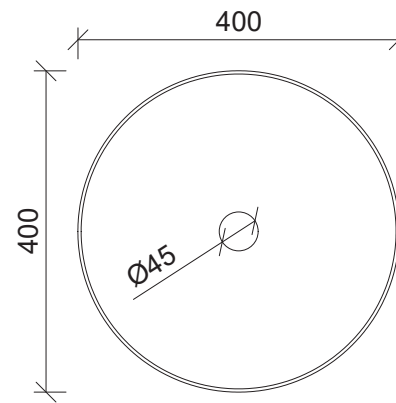
## Chase

**WG** White Gloss  
CHA-BS-400-WG-S

**WM** White Matt  
CHA-BS-400-WM-U



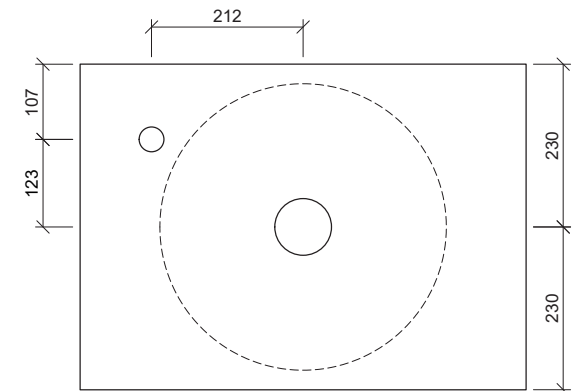
Above Counter



Drawings

Taphole Offset

**Note:** Offset or wall mounted tapware required.



Cut Out Specifications

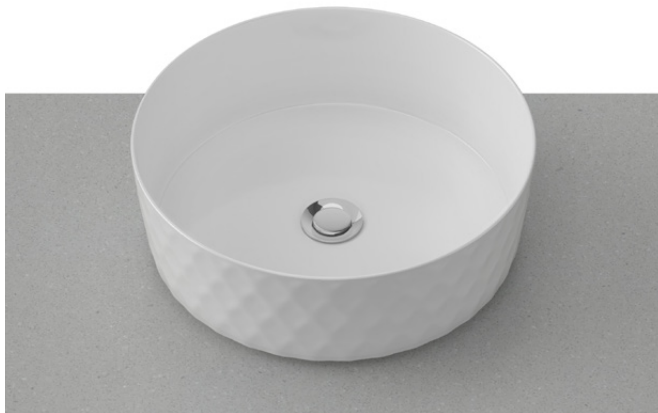
**Material:** Ceramic  
**Approx Capacity:** 8.7L  
**Cut Out Size:** 80mm  
**Waste Size:** 32mm without overflow

**Note:** Due to the manufacturing process, ceramic basins will vary from their nominal stated sizes. Use the dimensions provided as a guide only. Waste not included. Refer to brochure for pricing.

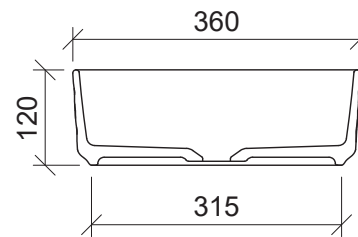
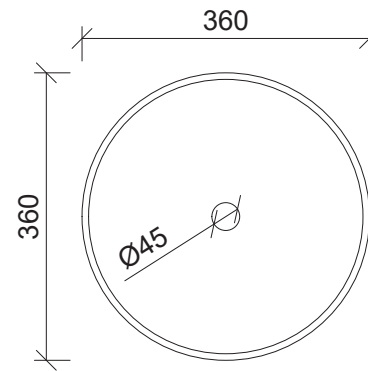
## Diamond

**WG** White Gloss  
DIA-BS-360-WG-S

**WM** White Matt  
DIA-BS-360-WM-U

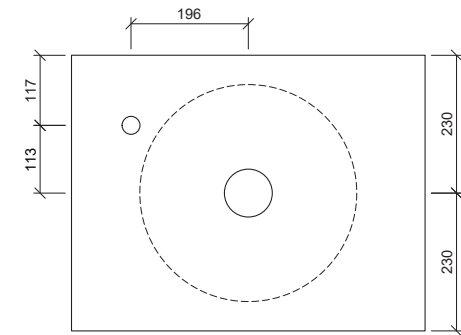


Above Counter

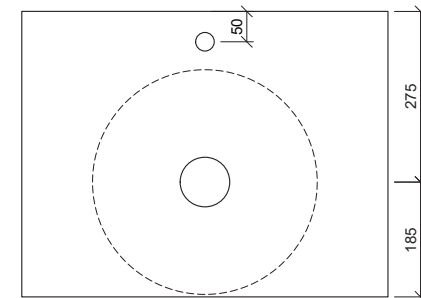


Drawings

Taphole Offset



Taphole Behind



Cut Out Specifications

- Material:** Ceramic
- Approx Capacity:** 8.5L
- Cut Out Size:** 80mm
- Waste Size:** 32mm without overflow

**Note:** Due to the manufacturing process, ceramic basins will vary from their nominal stated sizes. Use the dimensions provided as a guide only. Waste not included. Refer to brochure for pricing.

## Elite

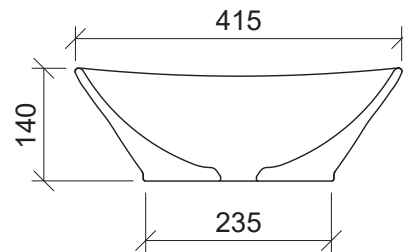
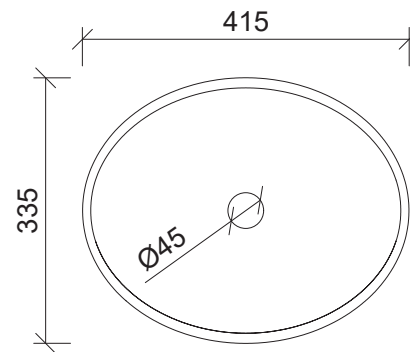
**WG** White Gloss  
ELI-BS-415-WG-S

**WM** White Matt  
ELI-BS-415-WM-U

**BM** Black Matt  
ELI-BS-415-BM-U

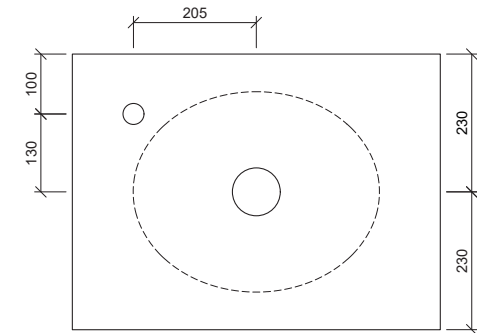


Above Counter

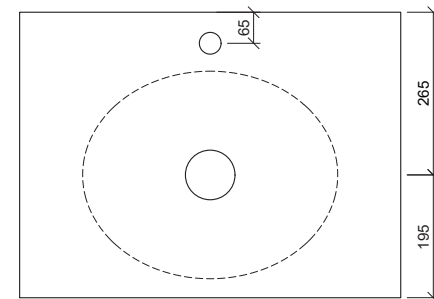


Drawings

Taphole Offset



Taphole Behind



Cut Out Specifications

**Material:** Ceramic  
**Approx Capacity:** 6L  
**Cut Out Size:** 80mm  
**Waste Size:** 32mm without overflow

**Note:** Due to the manufacturing process, ceramic basins will vary from their nominal stated sizes. Use the dimensions provided as a guide only. Waste not included. Refer to brochure for pricing.

## Enchant

**WG** White Gloss  
ENC-BS-500-WG-S

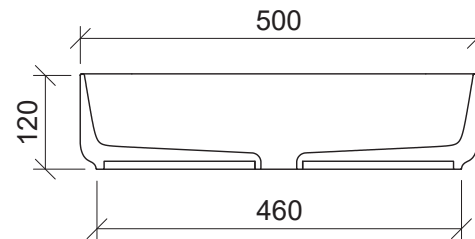
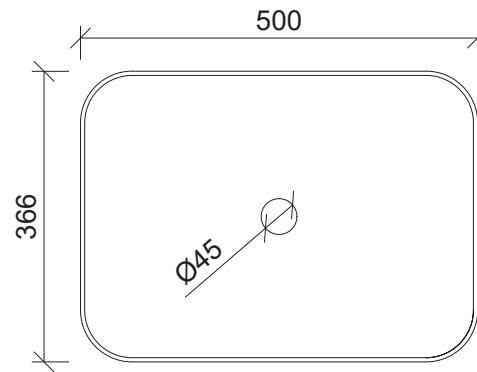
**WM** White Matt  
ENC-BS-500-WM-U

**BM** Black Matt  
ENC-BS-500-BKM-U

**GM** Grey Matt  
ENC-BS-500-GM-U

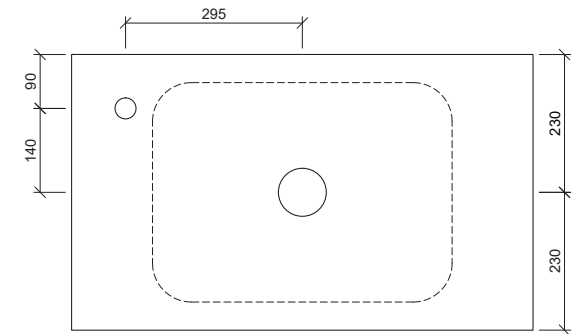


Above Counter

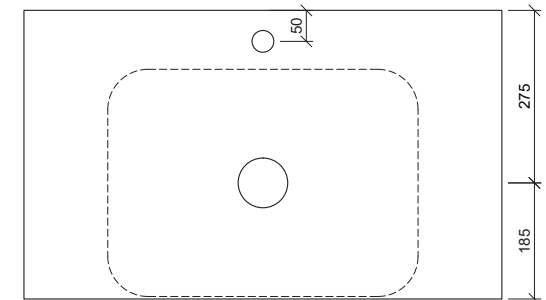


Drawings

Taphole Offset



Taphole Behind



Cut Out Specifications

**Material:** Ceramic

**Approx Capacity:** 14L

**Cut Out Size:** 80mm

**Waste Size:** 32mm without overflow

**Note:** Due to the manufacturing process, ceramic basins will vary from their nominal stated sizes. Use the dimensions provided as a guide only. Waste not included. Refer to brochure for pricing.

## Feather

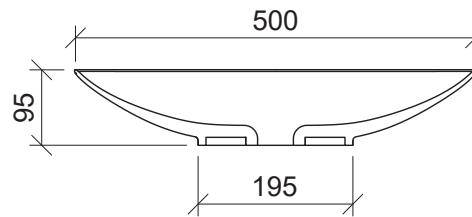
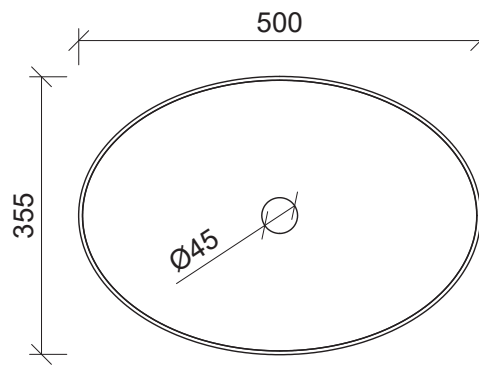
**WG** White Gloss  
FEA-BS-500-WG-S

**WM** White Matt  
FEA-BS-500-WM-U

**BM** Black Matt  
FEA-BS-500-BKM-U

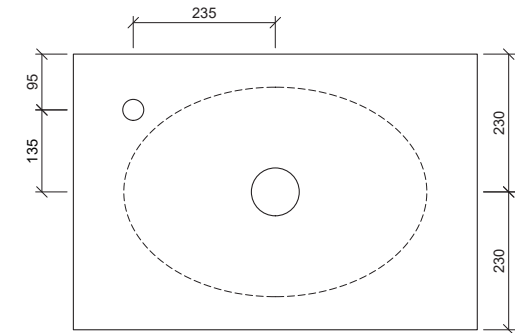


Above Counter

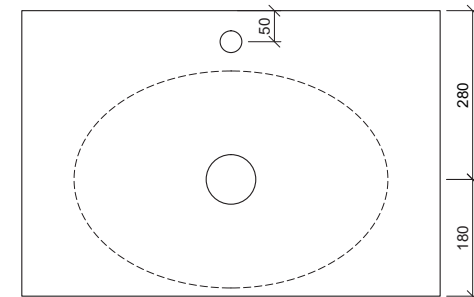


Drawings

Taphole Offset



Taphole Behind



Cut Out Specifications

**Material:** Ceramic  
**Approx Capacity:** 5.6L  
**Cut Out Size:** 80mm  
**Waste Size:** 32mm without overflow

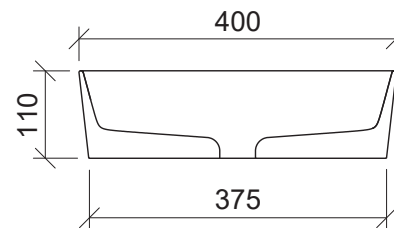
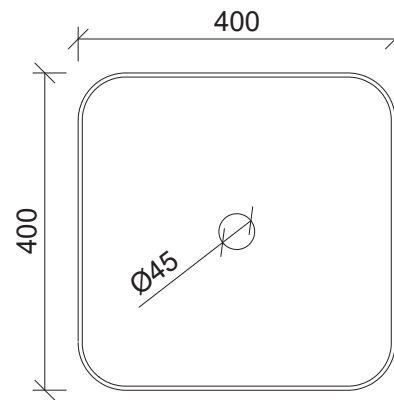
**Note:** Due to the manufacturing process, ceramic basins will vary from their nominal stated sizes. Use the dimensions provided as a guide only. Waste not included. Refer to brochure for pricing.

## Florent

**WG** White Gloss  
FLO-BS-400-WG-S



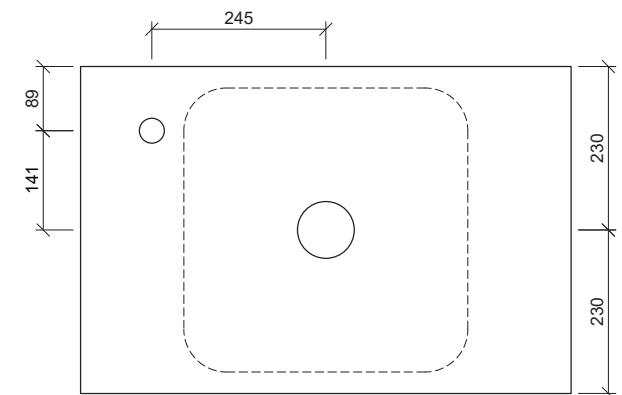
**Above Counter**



**Drawings**

Taphole Offset

**Note:** Offset or wall mounted tapware required.



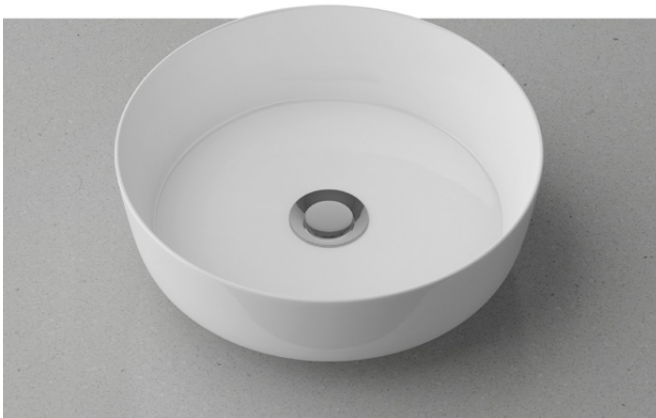
**Cut Out Specifications**

**Material:** Ceramic  
**Approx Capacity:** 10.4L  
**Cut Out Size:** 80mm  
**Waste Size:** 32mm without overflow

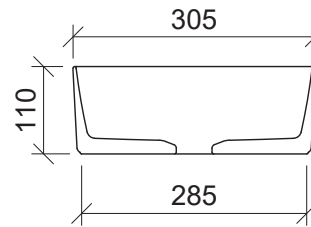
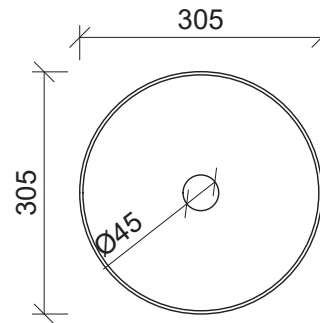
**Note:** Due to the manufacturing process, ceramic basins will vary from their nominal stated sizes. Use the dimensions provided as a guide only. Waste not included. Refer to brochure for pricing.

## Gem

WG White Gloss  
GEM-BS-305-WG-S

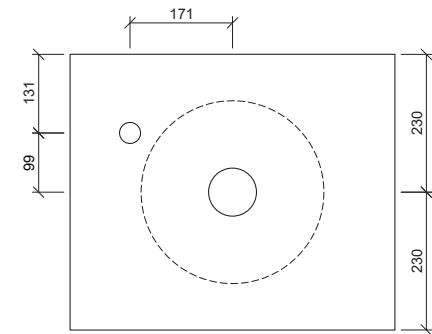


Above Counter

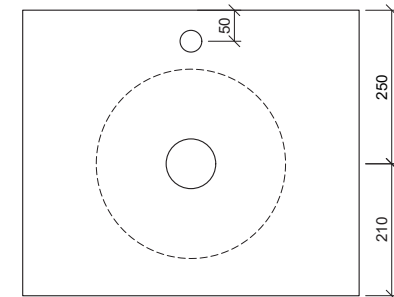


Drawings

Taphole Offset



Taphole Behind



Cut Out Specifications

- Material:** Ceramic
- Approx Capacity:** 5.8L
- Cut Out Size:** 80mm
- Waste Size:** 32mm without overflow

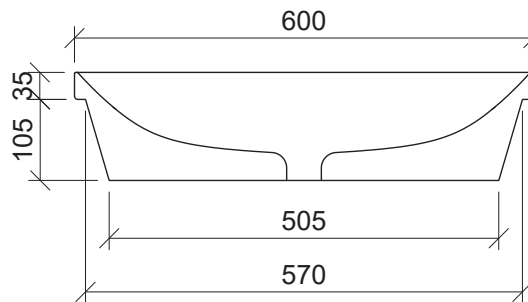
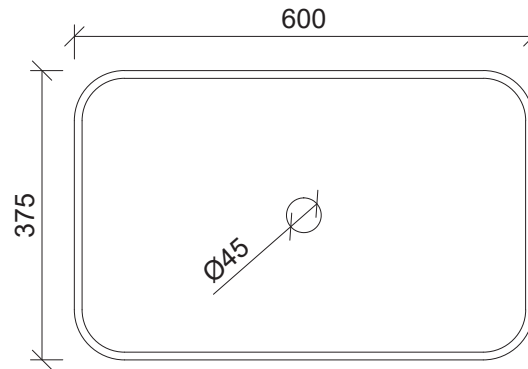
**Note:** Due to the manufacturing process, ceramic basins will vary from their nominal stated sizes. Use the dimensions provided as a guide only. Waste not included. Refer to brochure for pricing.



## George

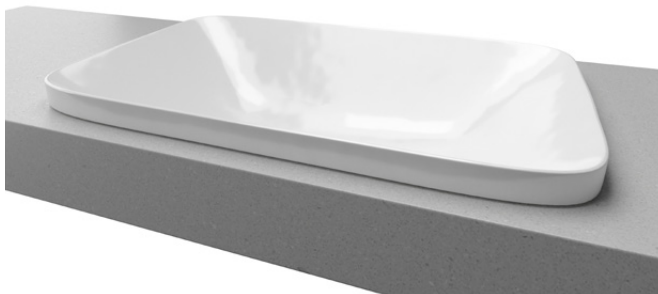
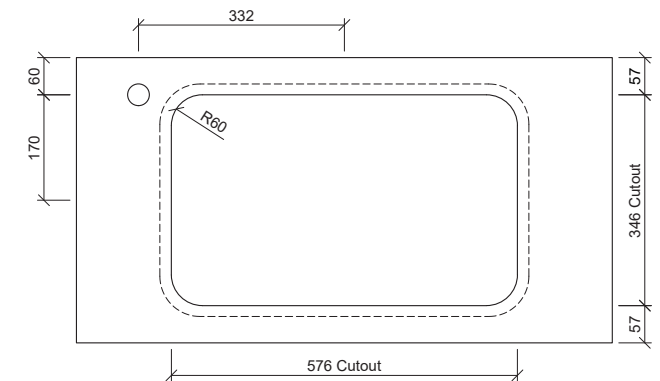
**WG** White Gloss  
GEO-BS-600-WG-S

**WM** White Matt  
GEO-BS-600-WM-U



Taphole Offset

**Note:** Offset or wall mounted tapware required.



**Inset**

**Drawings**

**Cut Out Specifications**

**Material:** Ceramic

**Approx Capacity:** 13L

**Cut Out Size:** 576w x 346d

**Waste Size:** 32mm without overflow

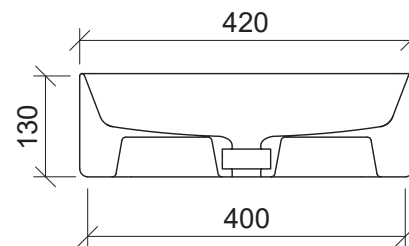
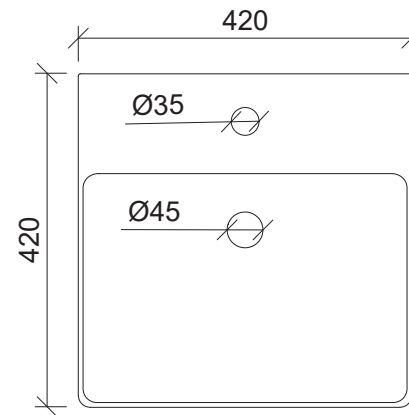
**Note:** Due to the manufacturing process, ceramic basins will vary from their nominal stated sizes. Use the dimensions provided as a guide only. Waste not included. Refer to brochure for pricing.

## Iconic 420

WG White Gloss  
ICN-BS-420-WG-S

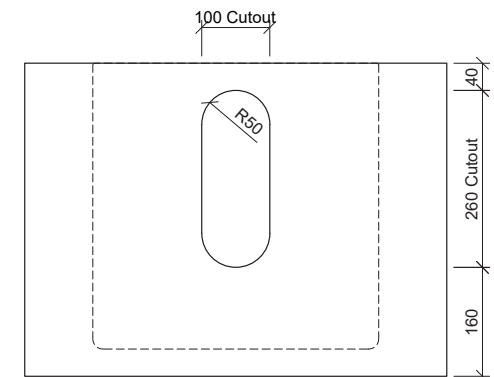


Above Counter



Drawings

Taphole Behind



Cut Out Specifications

**Material:** Ceramic  
**Approx Capacity:** 4.8L  
**Cut Out Size:** 100w x 260d  
**Waste Size:** 32mm with overflow

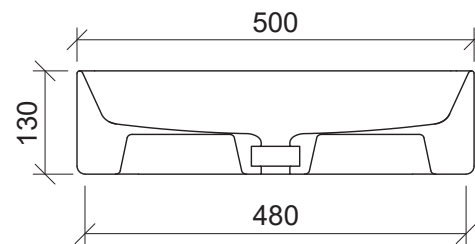
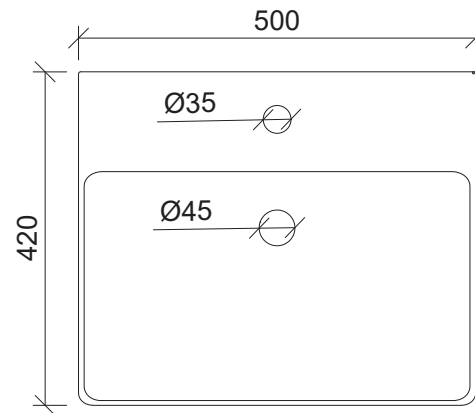
**Note:** Due to the manufacturing process, ceramic basins will vary from their nominal stated sizes. Use the dimensions provided as a guide only. Waste not included. Refer to brochure for pricing.

## Iconic 500

WG White Gloss  
ICN-BS-500-WG-S

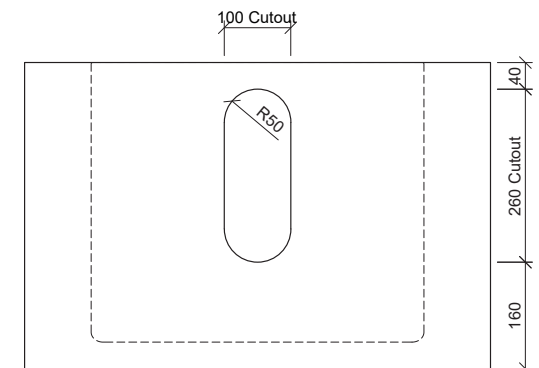


Above Counter



Drawings

Taphole Behind



Cut Out Specifications

**Material:** Ceramic  
**Approx Capacity:** 5.7L  
**Cut Out Size:** 100w x 260d  
**Waste Size:** 32mm with overflow

**Note:** Due to the manufacturing process, ceramic basins will vary from their nominal stated sizes. Use the dimensions provided as a guide only. Waste not included. Refer to brochure for pricing.

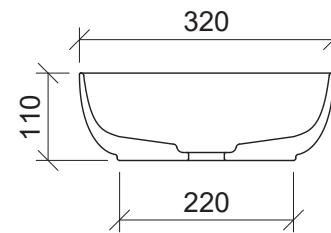
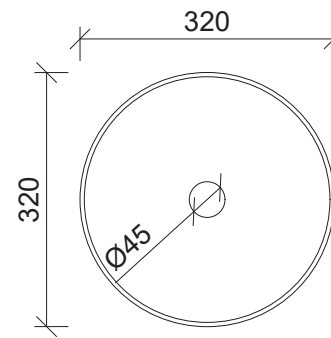
## Jessie

**WG** White Gloss  
JES-BS-320-WG-S

**WM** White Matt  
JES-BS-320-WM-U

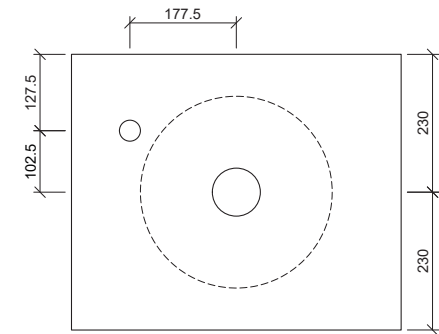


Above Counter

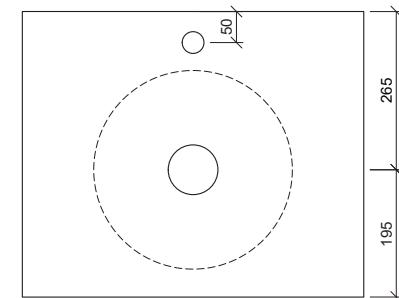


Drawings

Taphole Offset



Taphole Behind



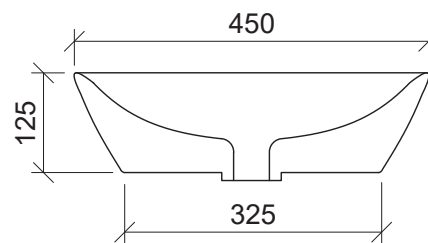
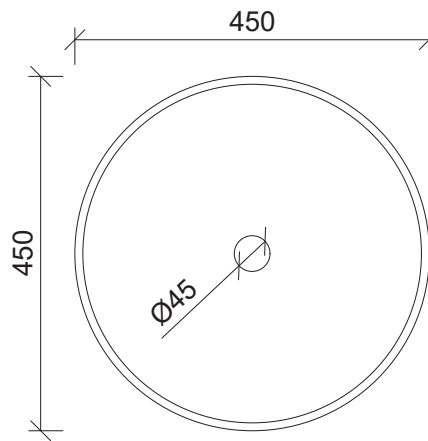
Cut Out Specifications

**Material:** Ceramic  
**Approx Capacity:** 5.5L  
**Cut Out Size:** 80mm  
**Waste Size:** 32mm without overflow

**Note:** Due to the manufacturing process, ceramic basins will vary from their nominal stated sizes. Use the dimensions provided as a guide only. Waste not included. Refer to brochure for pricing.

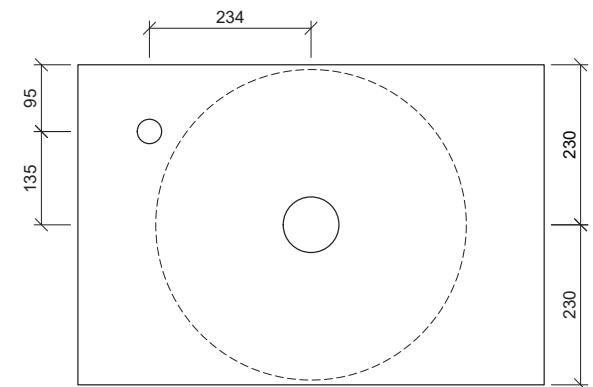
## Jupiter

WG White Gloss  
JUP-BS-450-WG-S



Taphole Offset

**Note:** Offset or wall mounted tapware required.



Above Counter

Drawings

Cut Out Specifications

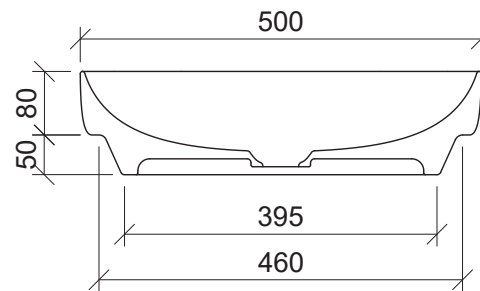
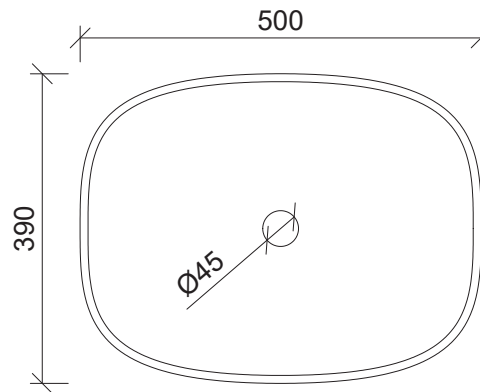
**Material:** Ceramic  
**Approx Capacity:** 6.9L  
**Cut Out Size:** 80mm  
**Waste Size:** 32mm without overflow

**Note:** Due to the manufacturing process, ceramic basins will vary from their nominal stated sizes. Use the dimensions provided as a guide only. Waste not included. Refer to brochure for pricing.

## Lorenzo

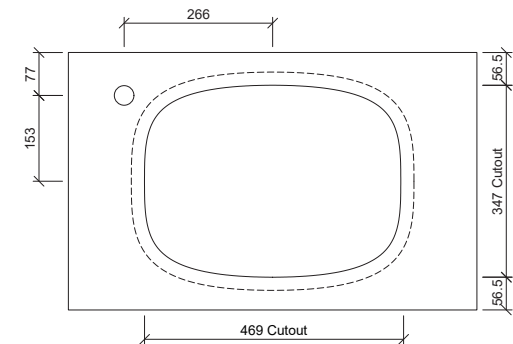
**WG** White Gloss  
LOR-BS-500-WG-S

**WM** White Matt  
LOR-BS-500-WM-U



### Taphole Offset

**Note:** Offset or wall mounted tapware required.



Inset

Drawings

Cut Out Specifications

**Material:** Ceramic

**Approx Capacity:** 11.4L

**Cut Out Size:** 469w x 347d

**Waste Size:** 32mm without overflow

**Note:** Due to the manufacturing process, ceramic basins will vary from their nominal stated sizes. Use the dimensions provided as a guide only. Waste not included. Refer to brochure for pricing.

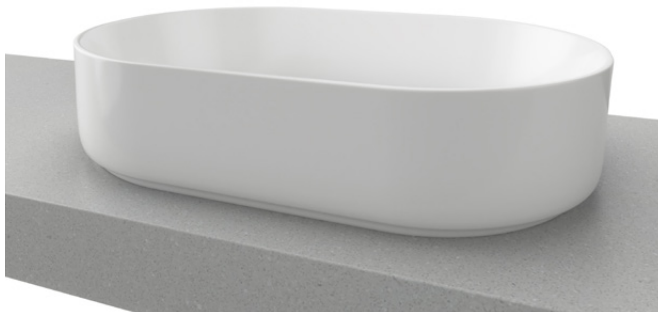
## Myrtle

**WG** White Gloss  
MYR-BS-550-WG-S

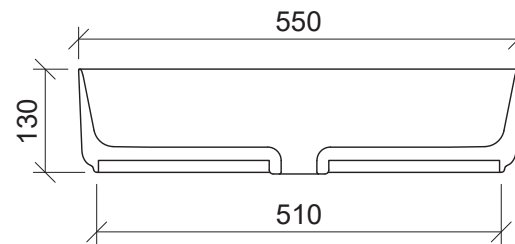
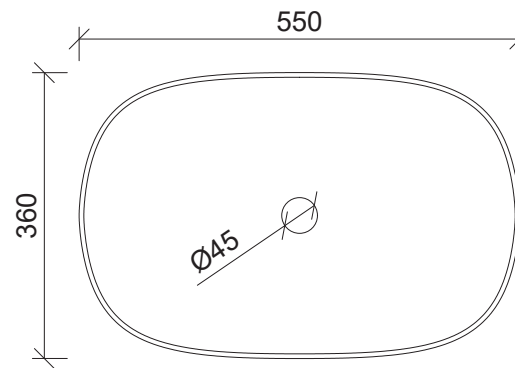
**WM** White Matt  
MYR-BS-550-WM-U

**BM** Black Matt  
MYR-BS-550-BKM-U

**GM** Black Matt  
MYR-BS-550-GM-U

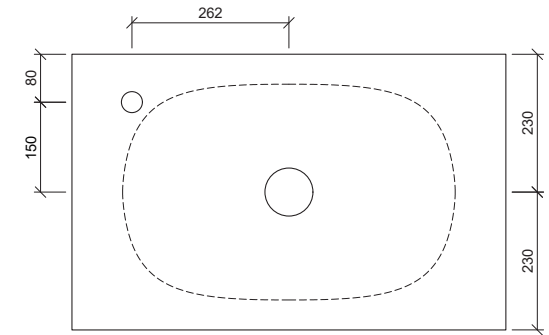


Above Counter

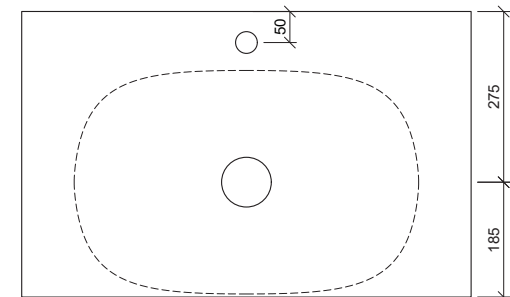


Drawings

Taphole Offset



Taphole Behind



Cut Out Specifications

**Material:** Ceramic

**Approx Capacity:** 15.1L

**Cut Out Size:** 80mm

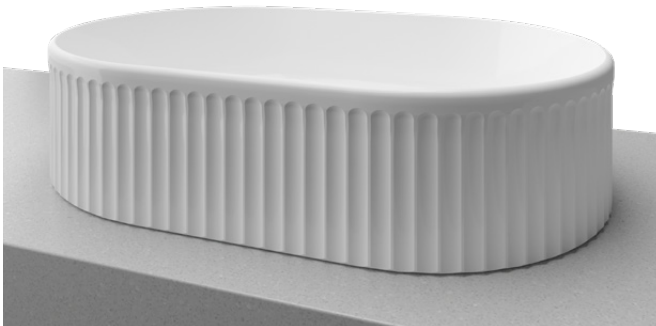
**Waste Size:** 32mm without overflow

**Note:** Due to the manufacturing process, ceramic basins will vary from their nominal stated sizes. Use the dimensions provided as a guide only. Waste not included. Refer to brochure for pricing.

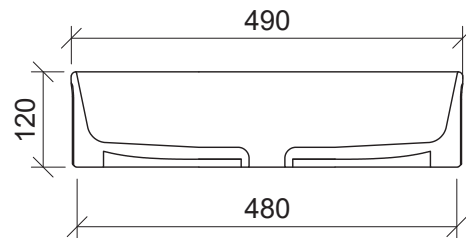
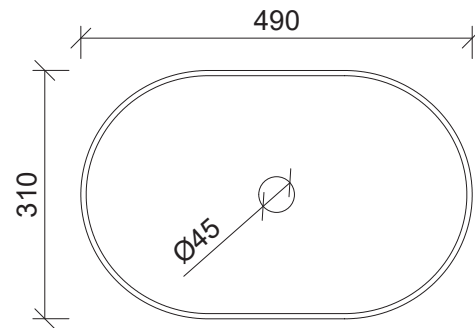
## Oval Flute

**WG** White Gloss  
OVF-BS-490-WG-S

**WM** White Matt  
OVF-BS-490-WM-U

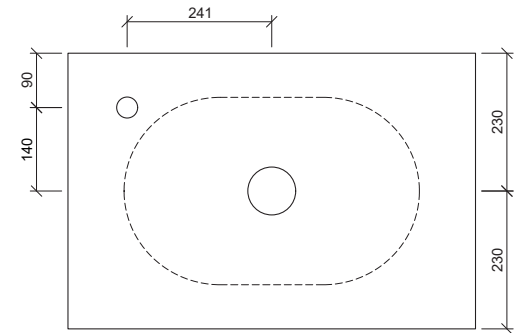


Above Counter

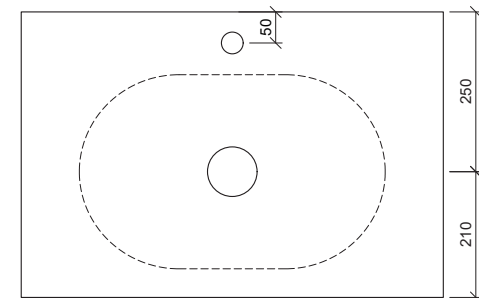


Drawings

Taphole Offset



Taphole Behind



Cut Out Specifications

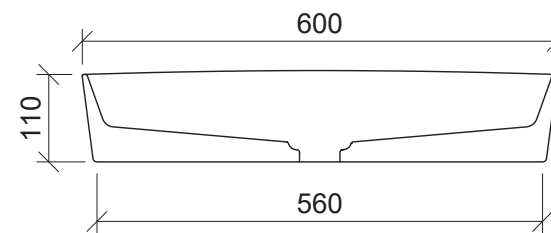
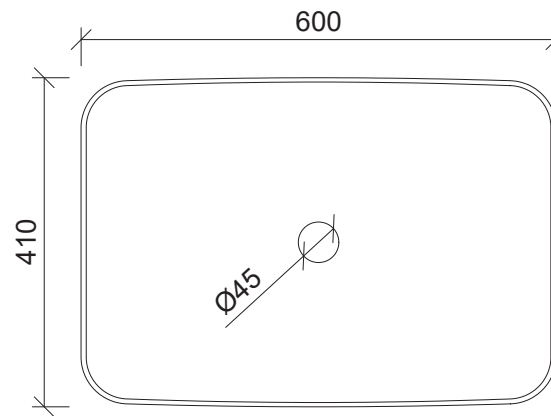
**Material:** Ceramic  
**Approx Capacity:** 10L  
**Cut Out Size:** 80mm  
**Waste Size:** 32mm without overflow

**Note:** Due to the manufacturing process, ceramic basins will vary from their nominal stated sizes. Use the dimensions provided as a guide only. Waste not included. Refer to brochure for pricing.



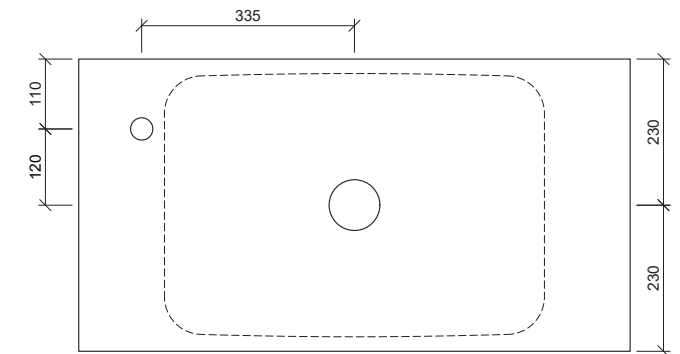
## Quill

**WG** White Gloss  
QUI-BS-600-WG-S



Taphole Offset

**Note:** Offset or wall mounted tapware required.



Above Counter

Drawings

Cut Out Specifications

**Material:** Ceramic  
**Approx Capacity:** 15.2L  
**Cut Out Size:** 80mm  
**Waste Size:** 32mm without overflow

**Note:** Due to the manufacturing process, ceramic basins will vary from their nominal stated sizes. Use the dimensions provided as a guide only. Waste not included. Refer to brochure for pricing.

## Radius

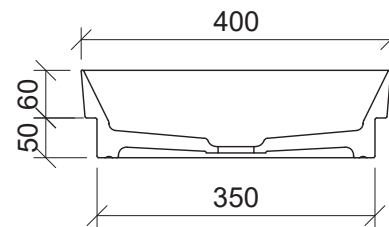
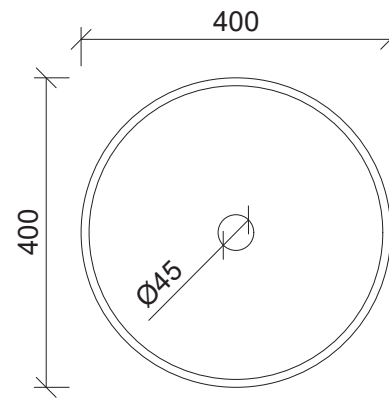
**WG** White Gloss  
RAD-BS-400-WG-S

**WM** White Matt  
RAD-BS-400-WM-S

**BM** Black Matt  
RAD-BS-400-BKM-S



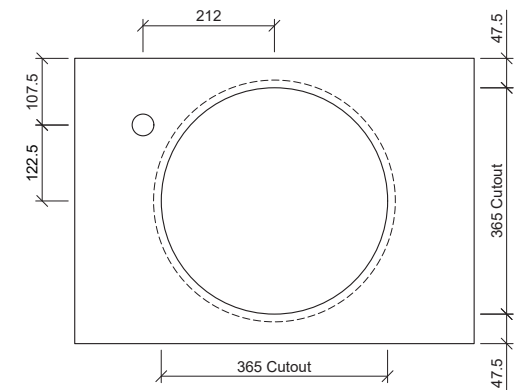
**Inset**



**Drawings**

Taphole Offset

**Note:** Offset or wall mounted tapware required.



**Cut Out Specifications**

**Material:** Ceramic

**Approx Capacity:** 9.4L

**Cut Out Size:** 365mm

**Waste Size:** 32mm without overflow

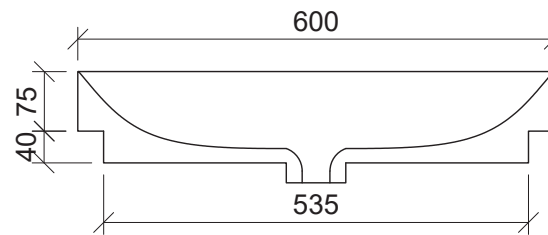
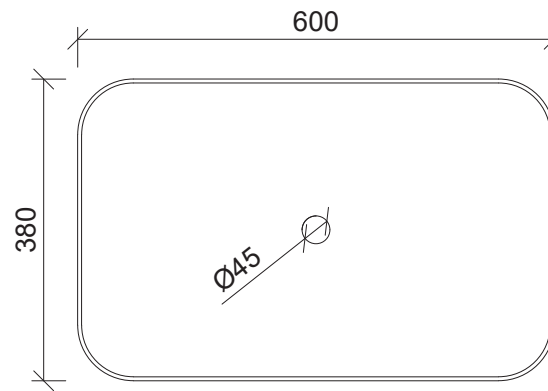
**Note:** Due to the manufacturing process, ceramic basins will vary from their nominal stated sizes. Use the dimensions provided as a guide only. Waste not included. Refer to brochure for pricing.

## Rome

**WG** White Gloss  
ROM-BS-600-WG-S



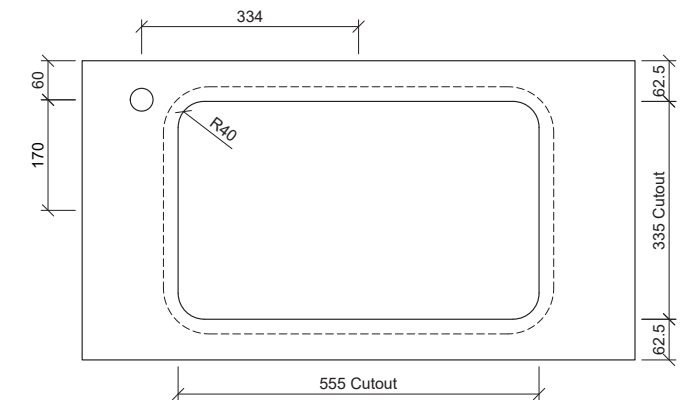
**Inset**



**Drawings**

Taphole Offset

**Note:** Offset or wall mounted tapware required.



**Cut Out Specifications**

**Material:** Ceramic  
**Approx Capacity:** 14L  
**Cut Out Size:** 555w x 335d  
**Waste Size:** 32mm without overflow

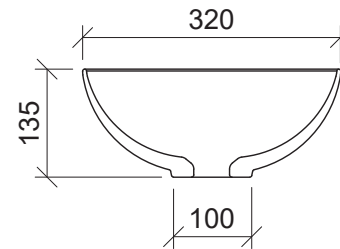
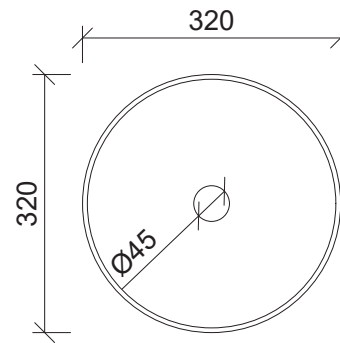
**Note:** Due to the manufacturing process, ceramic basins will vary from their nominal stated sizes. Use the dimensions provided as a guide only. Waste not included. Refer to brochure for pricing.

## Rose

WG White Gloss  
ROS-BS-320-WG-S

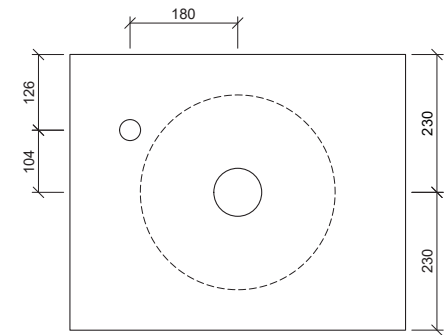


Above Counter

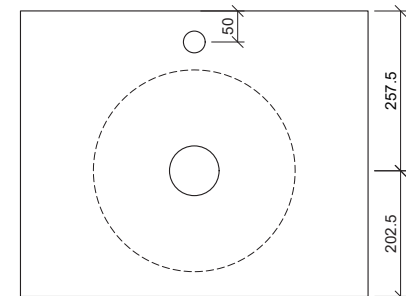


Drawings

Taphole Offset



Taphole Behind



Cut Out Specifications

**Material:** Ceramic  
**Approx Capacity:** 5.7L  
**Cut Out Size:** 80mm  
**Waste Size:** 32mm without overflow

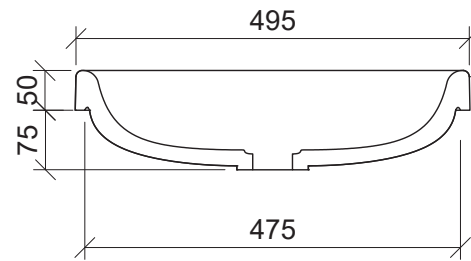
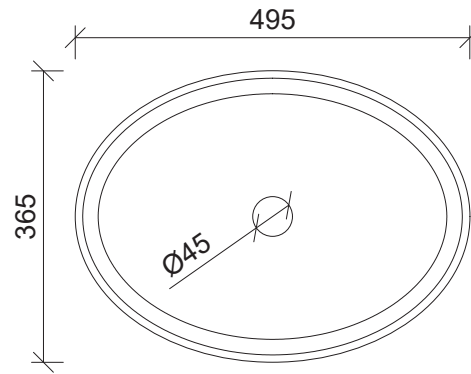
**Note:** Due to the manufacturing process, ceramic basins will vary from their nominal stated sizes. Use the dimensions provided as a guide only. Waste not included. Refer to brochure for pricing.

## Coast

WG White Gloss  
COA-BS-495-WG-U



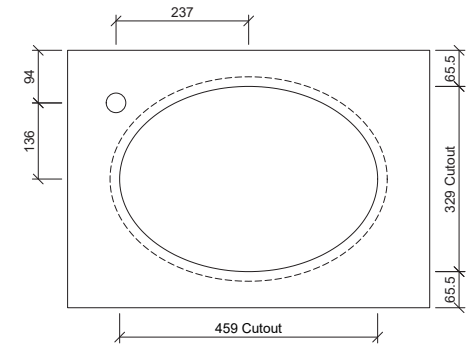
Inset



Drawings

### Taphole Offset

**Note:** Offset or wall mounted tapware required.



Cut Out Specifications

**Material:** Mineral Composite  
**Approx Capacity:** 8.6L  
**Cut Out Size:** 459w x 329d  
**Waste Size:** 50mm without overflow

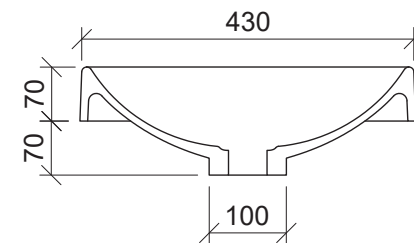
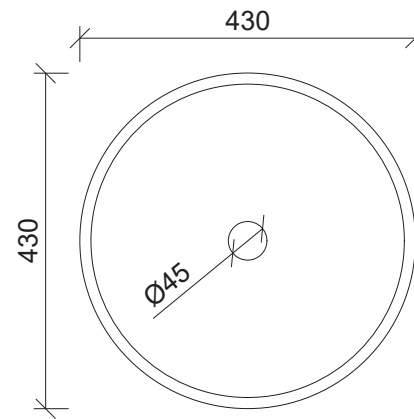
**Note:** Waste not included. Refer to brochure for pricing.

## Corrida

WG White Gloss  
COR-BS-430-WG-U



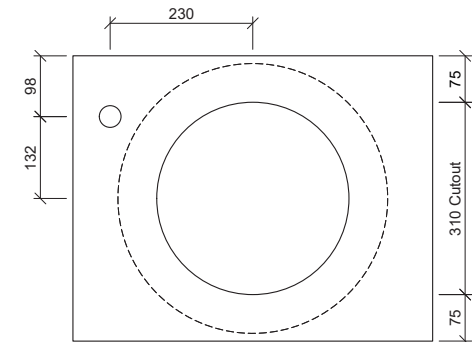
Inset



Drawings

### Taphole Offset

**Note:** Offset or wall mounted tapware required.



Cut Out Specifications

**Material:** Mineral Composite  
**Approx Capacity:** 7.9L  
**Cut Out Size:** 310mm  
**Waste Size:** 50mm without overflow

**Note:** Waste not included. Refer to brochure for pricing.

## Cove Grand

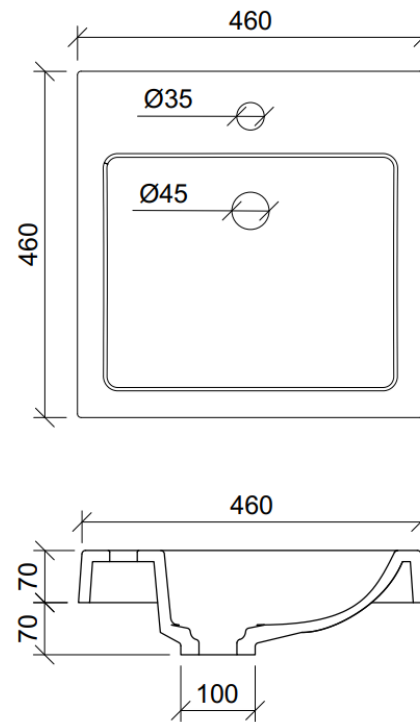
**WG** White Gloss  
COV-BS-460-WG-U



**Inset**

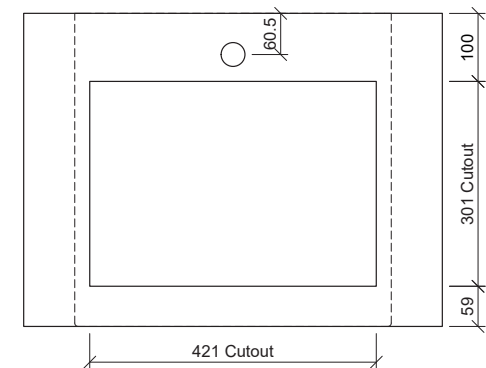
**Material:** Mineral Composite  
**Approx Capacity:** 9.8L  
**Cut Out Size:** 421w x 301d  
**Waste Size:** 50mm without overflow

**Note:** Waste not included. Refer to brochure for pricing.



**Drawings**

Taphole Behind



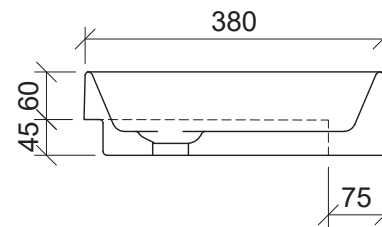
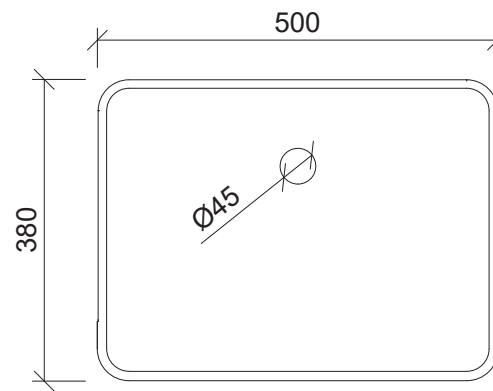
**Cut Out Specifications**

## Fergus Semi-Recessed

**WG** White Gloss  
FER-BS-500-WG-U

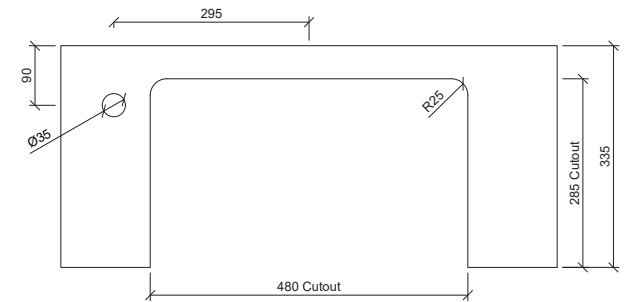


**Inset**

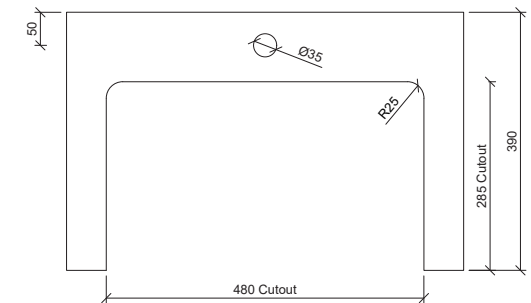


**Drawings**

**Taphole Offset**



**Taphole Behind**



**Cut Out Specifications**

**Material:** Mineral Composite

**Approx Capacity:** 10L

**Cut Out Size:** 480w x 285d

**Waste Size:** 40mm with overflow

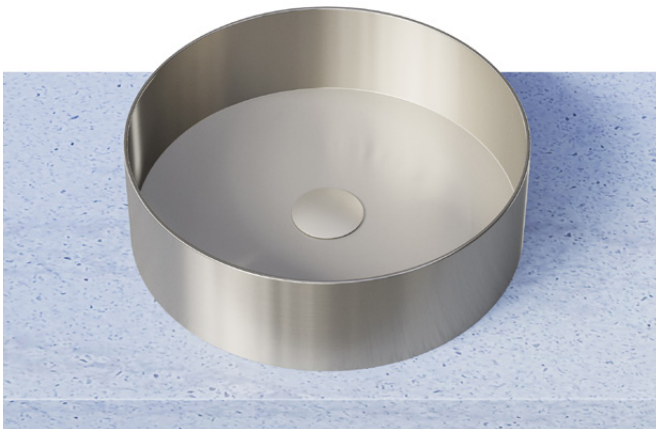
**Note:** Waste not included. Refer to brochure for pricing.



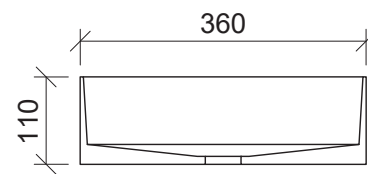
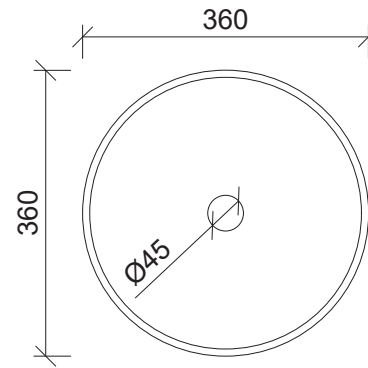
## Luxe

**BG** Brushed Gold  
LUX-BS-360-BG-U

**BN** Brushed Nickel  
LUX-BS-360-BN-U

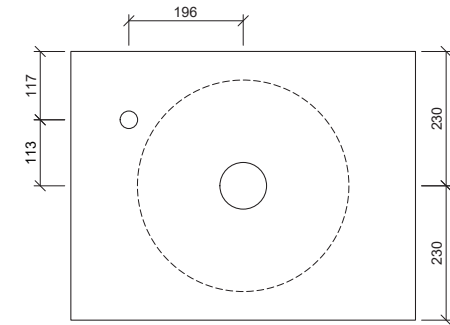


Above Counter

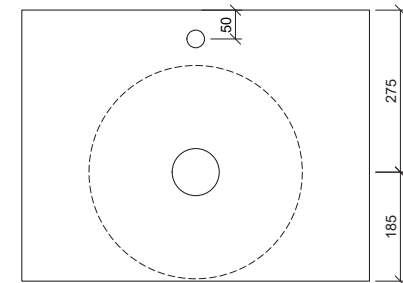


Drawings

Taphole Offset



Taphole Behind



Cut Out Specifications

**Material:** Stainless Steel  
**Approx Capacity:** 11L  
**Cut Out Size:** 80mm  
**Waste Size:** 32mm without overflow

**Note:** Waste included. Refer to brochure for pricing.