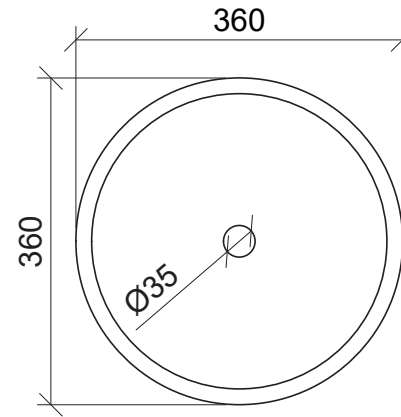
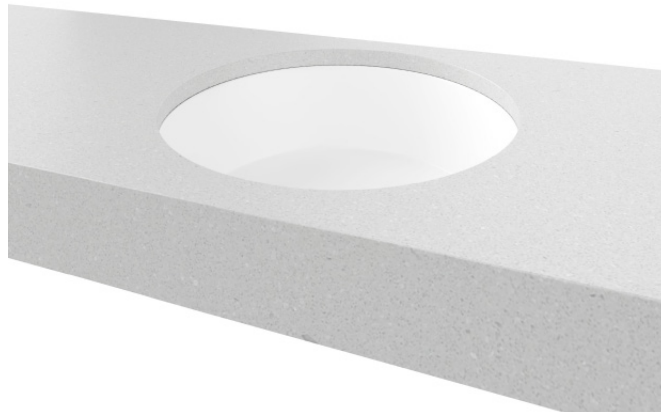
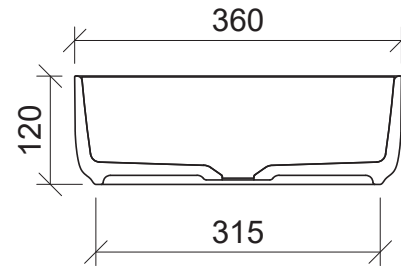
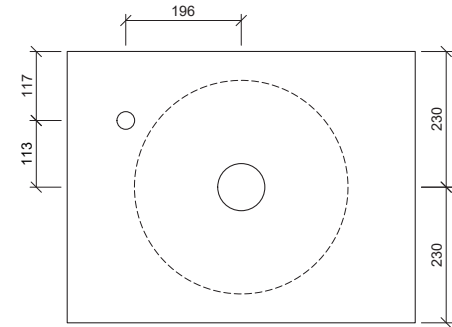


Allure Under Counter

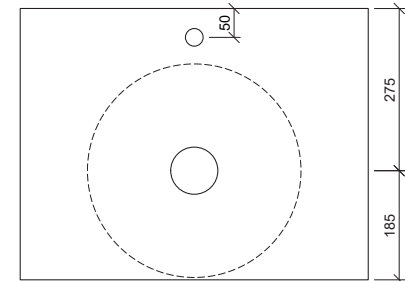
- WG** White Gloss ALLU-BS-360-WG-S
 WM White Matt ALLU-BS-360-WM-U
 BM Black Matt ALLU-BS-360-BM-U
 ANT Anthracite ALLU-BS-360-ANT-U
 GM Grey Matt ALLU-BS-360-GM-U
 LGM Light Grey Matt ALLU-BS-360-LGM-U
 PM Pink Matt ALLU-BS-360-PM-U



Taphole Offset



Taphole Behind



Under Counter

Drawings

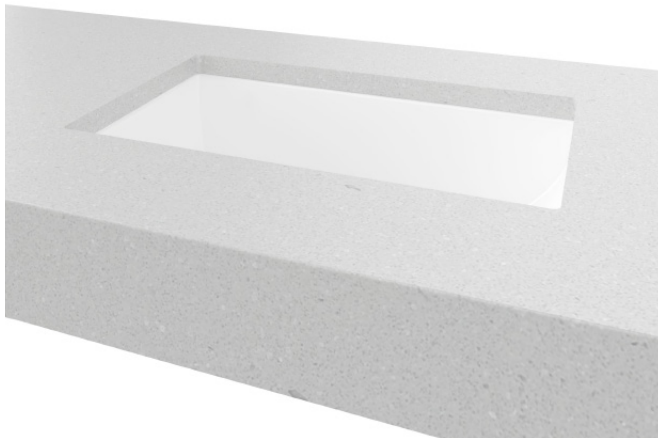
Cut Out Specifications

- Material:** Ceramic
Approx Capacity: 8.5L
Cut Out Size: 315mm
Waste Size: 32mm without overflow

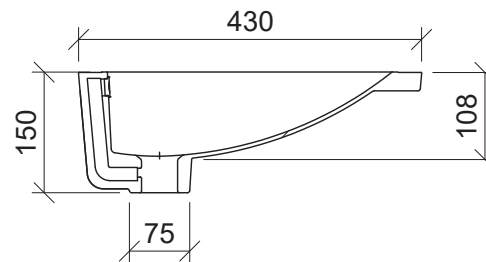
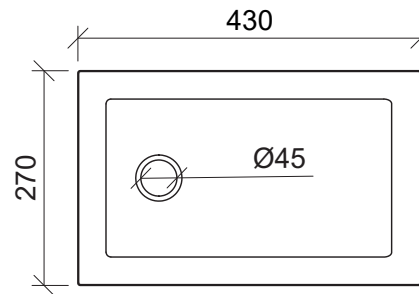
Note: Due to the manufacturing process, ceramic basins will vary from their nominal stated sizes. Use the dimensions provided as a guide only. Waste not included. Refer to brochure for pricing.

Mini Rectangle Under Counter

WG White Gloss
MRE-BS-425-WG-S

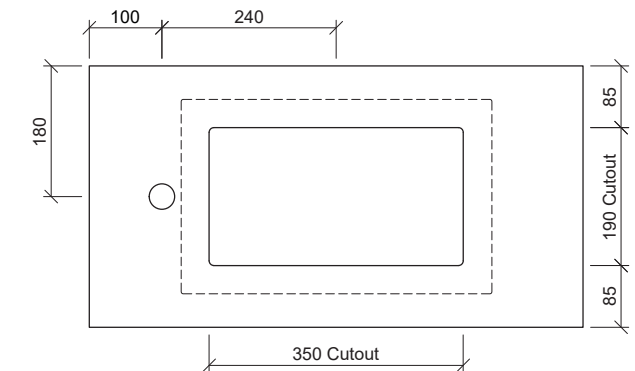


Under Counter



Drawings

Taphole Offset



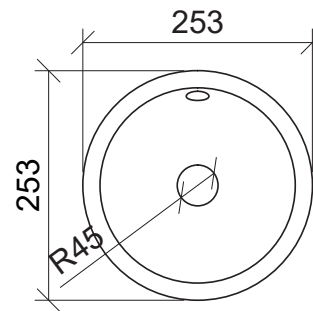
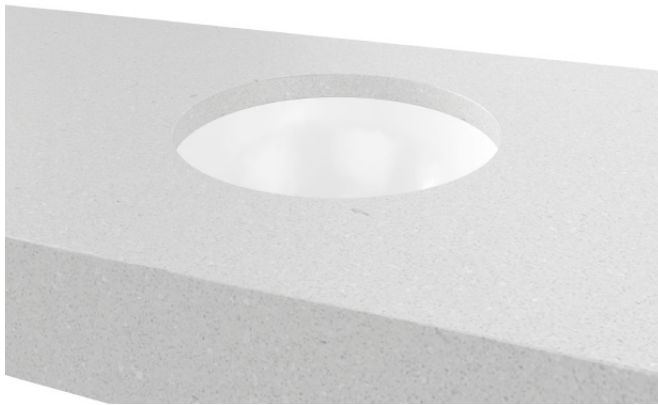
Cut Out Specifications

Material: Ceramic
Approx Capacity: 5.2L
Cut Out Size: 350w x 190d
Waste Size: 32mm with overflow

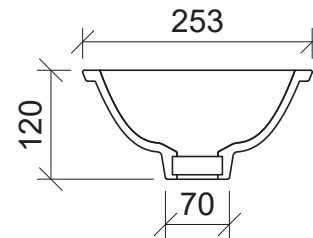
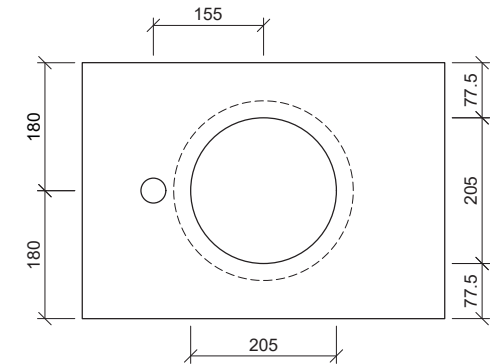
Note: Due to the manufacturing process, ceramic basins will vary from their nominal stated sizes. Use the dimensions provided as a guide only. Waste not included. Refer to brochure for pricing.

Mini Round Under Counter

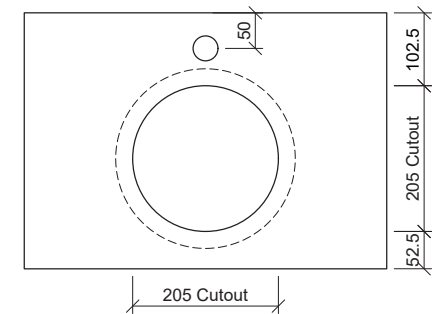
WG White Gloss
MRO-BS-255-WG-S



Taphole Offset



Taphole Behind



Under Counter

Drawings

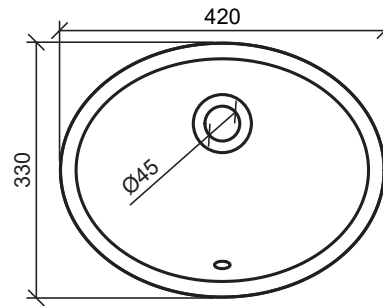
Cut Out Specifications

Material: Ceramic
Approx Capacity: 2L
Cut Out Size: 205mm
Waste Size: 32mm with overflow

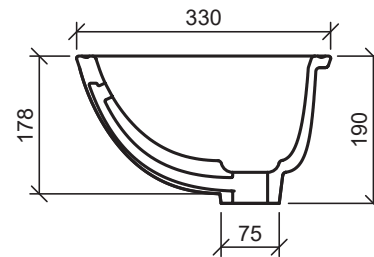
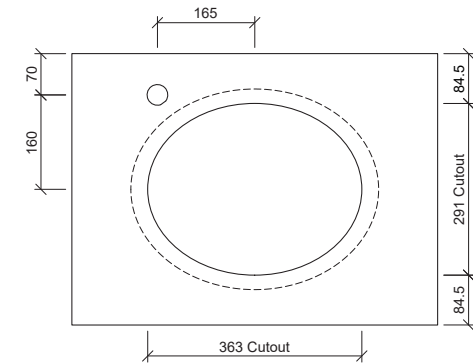
Note: Due to the manufacturing process, ceramic basins will vary from their nominal stated sizes. Use the dimensions provided as a guide only. Waste not included. Refer to brochure for pricing.

Oval Under Counter

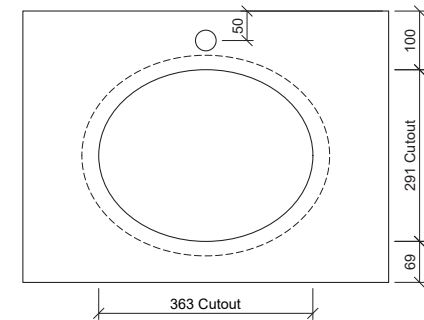
WG White Gloss
OVL-BS-420-WG-S



Taphole Offset



Taphole Behind



Under Counter

Drawings

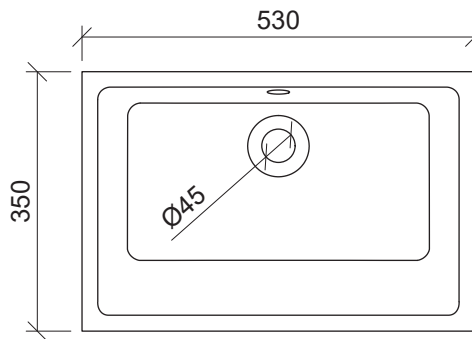
Cut Out Specifications

Material: Ceramic
Approx Capacity: 8.7L
Cut Out Size: 365w x 280d
Waste Size: 32mm with overflow

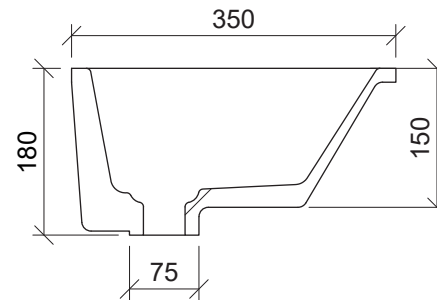
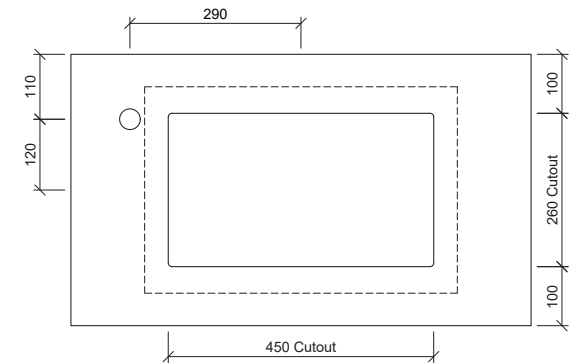
Note: Due to the manufacturing process, ceramic basins will vary from their nominal stated sizes. Use the dimensions provided as a guide only. Waste not included. Refer to brochure for pricing.

Rectangle Under Counter

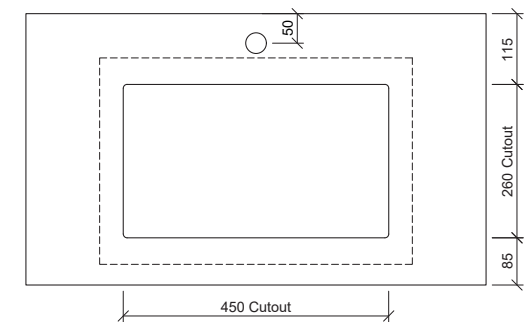
WG White Gloss
REC-BS-530-WG-S



Taphole Offset



Taphole Behind



Under Counter

Drawings

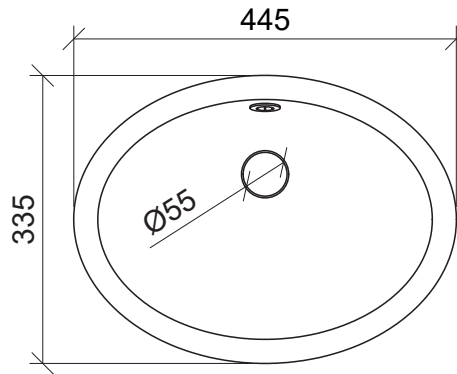
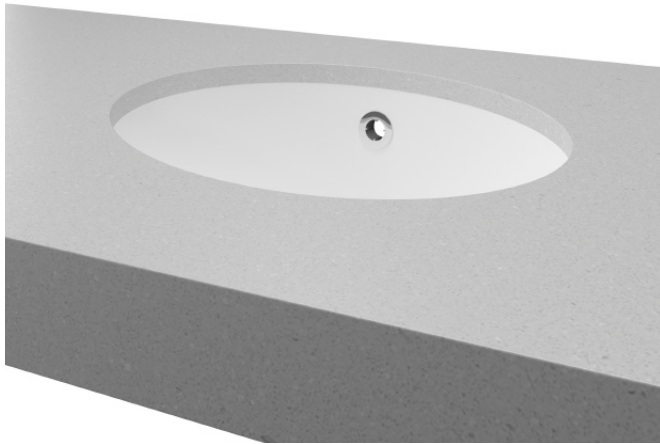
Cut Out Specifications

Material: Ceramic
Approx Capacity: 7.7L
Cut Out Size: 450w x 260d
Waste Size: 32mm with overflow

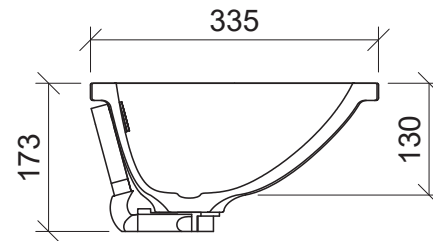
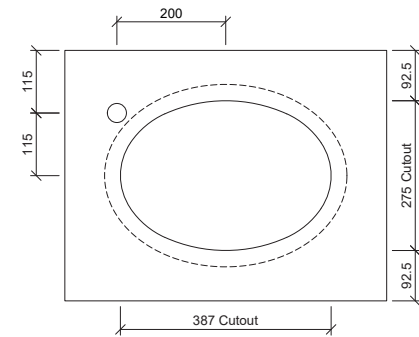
Note: Due to the manufacturing process, ceramic basins will vary from their nominal stated sizes. Use the dimensions provided as a guide only. Waste not included. Refer to brochure for pricing.

Amara Under Counter

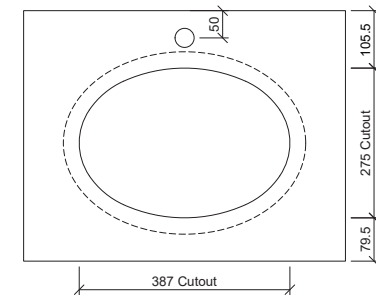
WG White Gloss
AMA-BS-450-WG-U



Taphole Offset



Taphole Behind



Inset

Drawings

Cut Out Specifications

Material: Mineral Composite

Approx Capacity: 3L

Cut Out Size: 387w x 275d

Waste Size: 40mm with overflow

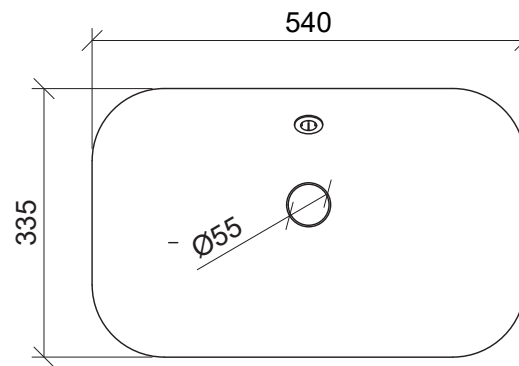
Note: Waste not included. Refer to brochure for pricing.

Bodhi Under Counter

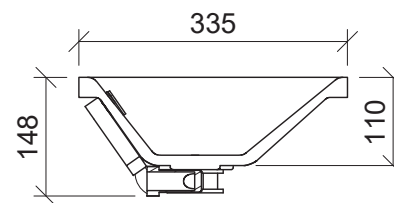
WG White Gloss
BOD-BS-540-WG-U



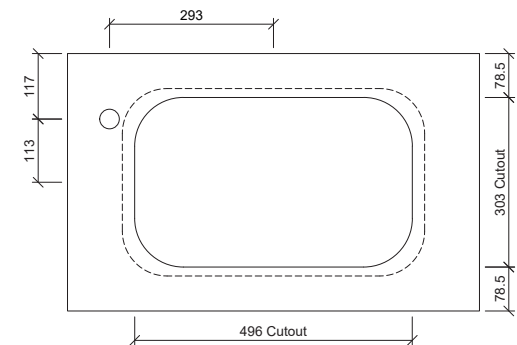
Inset



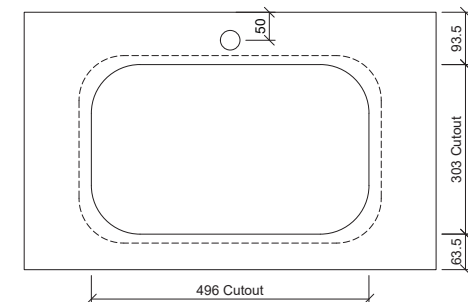
Drawings



Taphole Offset



Taphole Behind



Cut Out Specifications

Material: Mineral Composite

Approx Capacity: 3.5L

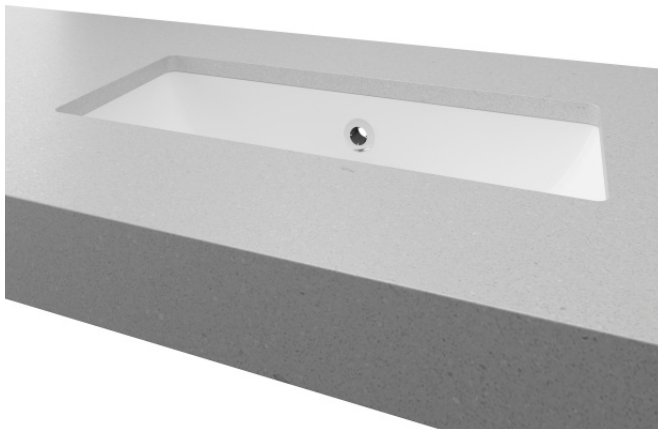
Cut Out Size: 496w x 303d

Waste Size: 40mm with overflow

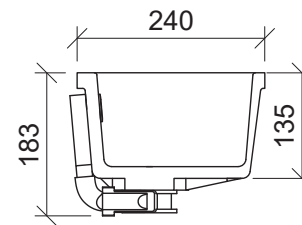
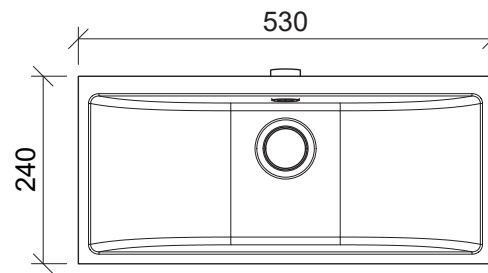
Note: Waste not included. Refer to brochure for pricing.

Ruby Under Counter

WG White Gloss
RUB-BS-530-WG-U

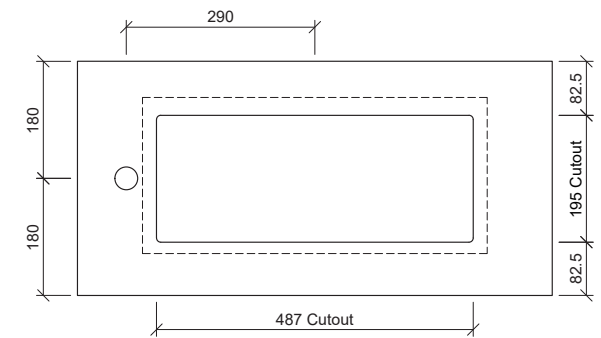


Inset

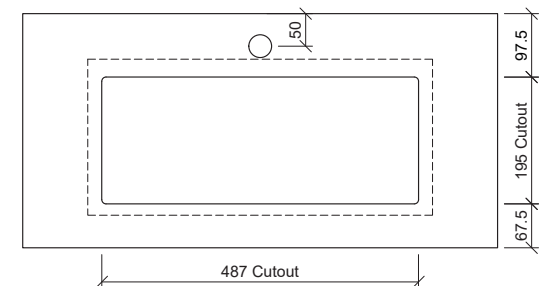


Drawings

Taphole Offset



Taphole Behind



Cut Out Specifications

Material: Mineral Composite

Approx Capacity: 3.5L

Cut Out Size: 487w x 195d

Waste Size: 40mm with overflow

Note: Waste not included. Refer to brochure for pricing.