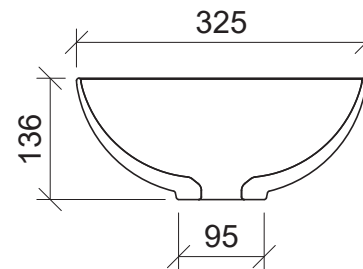
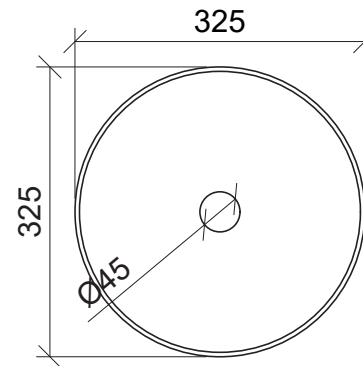


Rose

WG White Gloss
ROS-BS-320-WG-S

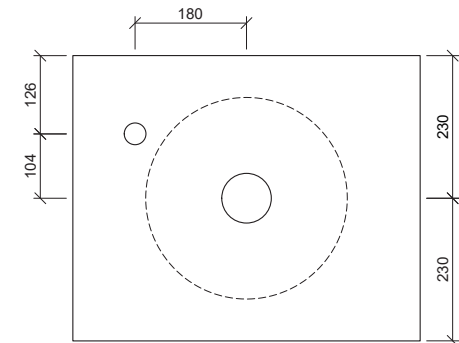


Above Counter

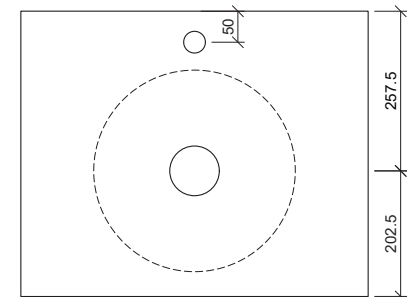


Drawings

Taphole Offset



Taphole Behind



Cut Out Specifications

- Material:** Ceramic
- Approx Capacity:** 5.7L
- Cut Out Size:** 80mm
- Waste Size:** 32mm without overflow

Note: Due to the manufacturing process, ceramic basins will vary from their nominal stated sizes. Use the dimensions provided as a guide only. Waste not included. Refer to brochure for pricing.