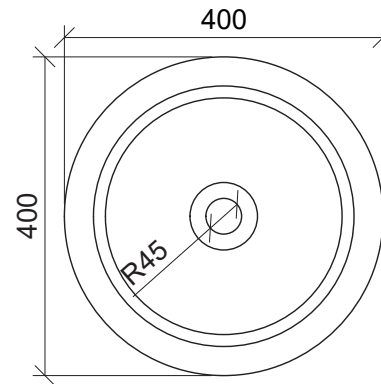


## Radius

**WG** White Gloss  
RAD-BS-400-WG-S

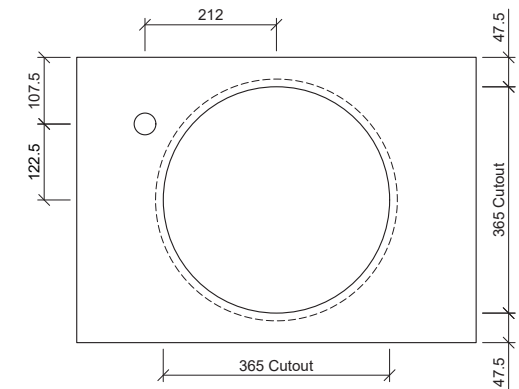
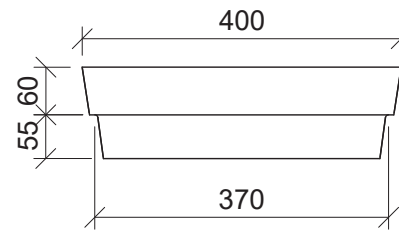
**WM** White Matt  
RAD-BS-400-WM-S

**BM** Black Matt  
RAD-BS-400-BKM-S



Taphole Offset

**Note:** Offset or wall mounted tapware required.



Inset

Drawings

Cut Out Specifications

**Material:** Ceramic

**Approx Capacity:** 9.4L

**Cut Out Size:** 365mm

**Waste Size:** 32mm without overflow

**Note:** Due to the manufacturing process, ceramic basins will vary from their nominal stated sizes. Use the dimensions provided as a guide only. Waste not included. Refer to brochure for pricing.