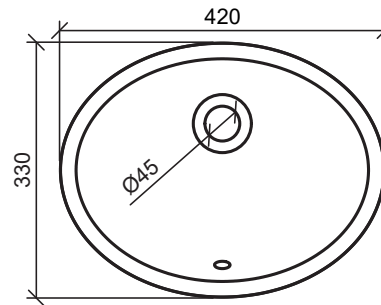
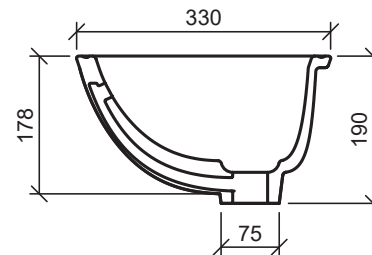
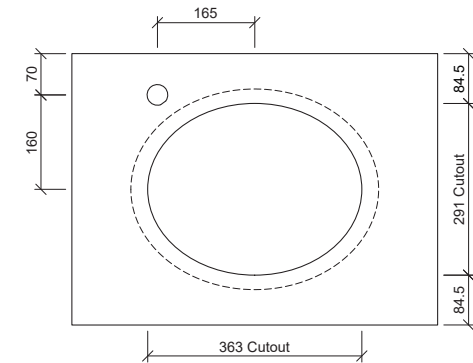


## Oval Under Counter

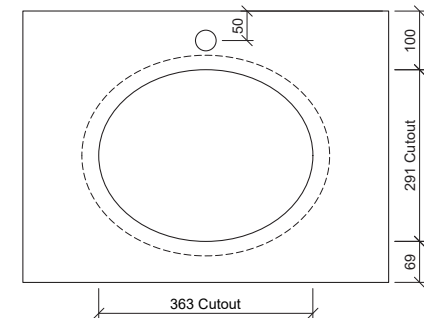
**WG** White Gloss  
OVL-BS-420-WG-S



Taphole Offset



Taphole Behind



Under Counter

Drawings

Cut Out Specifications

**Material:** Ceramic  
**Approx Capacity:** 8.7L  
**Cut Out Size:** 365w x 280d  
**Waste Size:** 32mm with overflow

**Note:** Due to the manufacturing process, ceramic basins will vary from their nominal stated sizes. Use the dimensions provided as a guide only. Waste not included. Refer to brochure for pricing.