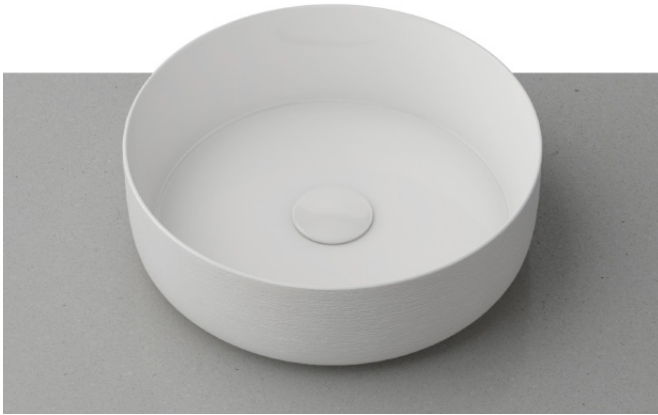


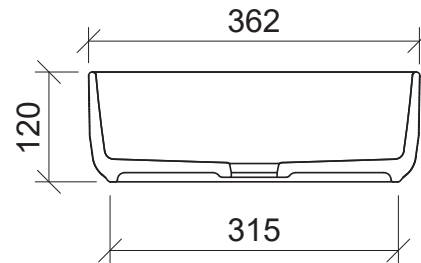
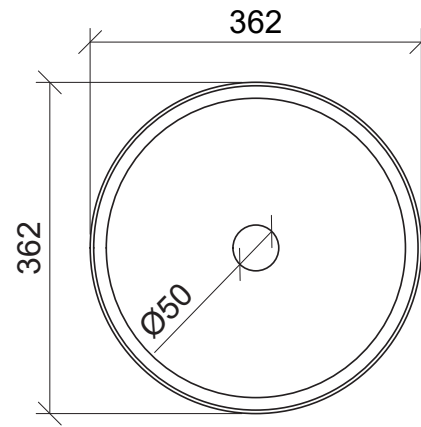
## Allure Raked

**WG** White Gloss  
ALR-BS-360-WG-S

**WM** White Matt  
ALR-BS-360-WM-U

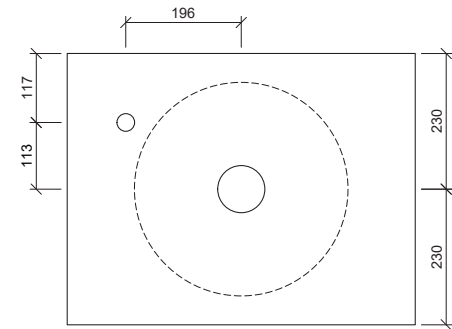


Above Counter

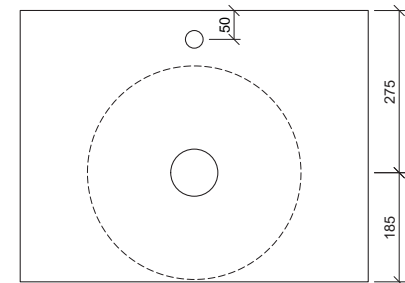


Drawings

Taphole Offset



Taphole Behind



Cut Out Specifications

**Material:** Ceramic  
**Approx Capacity:** 8.5L  
**Cut Out Size:** 80mm  
**Waste Size:** 32mm without overflow

**Note:** Due to the manufacturing process, ceramic basins will vary from their nominal stated sizes. Use the dimensions provided as a guide only. Waste not included. Refer to brochure for pricing.