

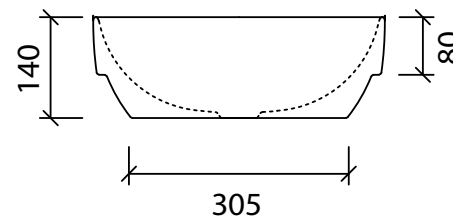
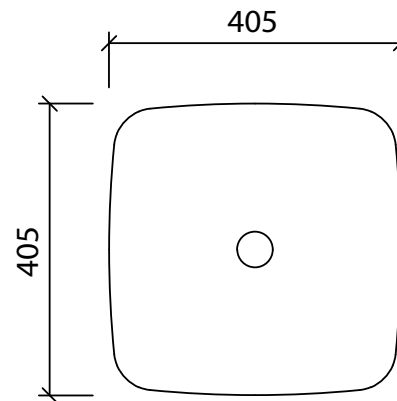
Addison

WG White Gloss
ADD-BS-400-WG-S

WM White Matt
ADD-BS-400-WM-U



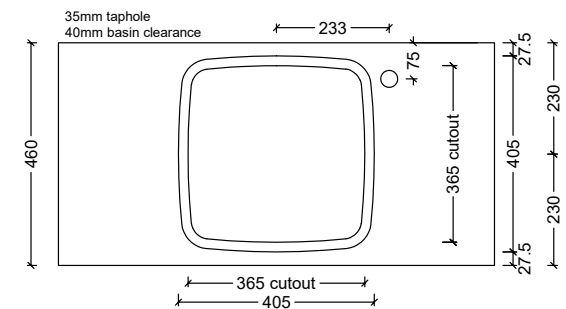
Inset



Drawings

Taphole Offset

Note: Offset or wall mounted tapware required.



Cut Out Specifications

Approx Capacity: 9.5L

Cut Out Size: 365w x 365d

Waste Size: 32mm without overflow

Note: Due to the manufacturing process, ceramic basins will vary from their nominal stated sizes. Use the dimensions provided as a guide only. Waste not included. Refer to brochure for pricing.

Allure

WG White Gloss
ALL-BS-360-WG-S

WM White Matt
ALL-BS-360-WM-U

BM Black Matt
ALL-BS-360-BKM-U

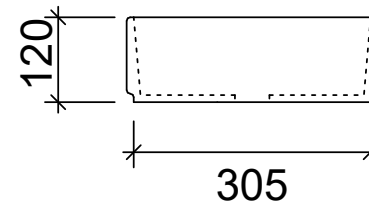
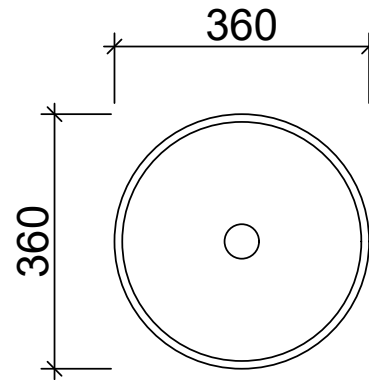
GM Black Matt
ALL-BS-360-GM-U

LGM Light Grey Matt
ALL-BS-360-LGM-U

PM Pink Matt
ALL-BS-360-PM-U

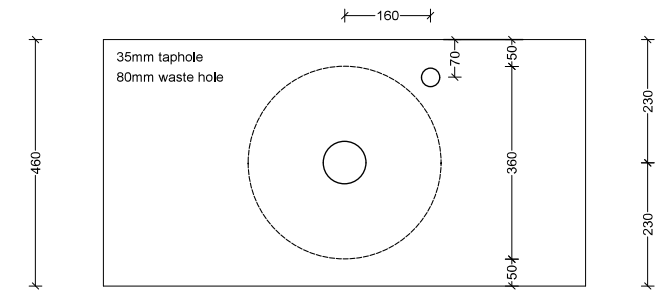


Above Counter

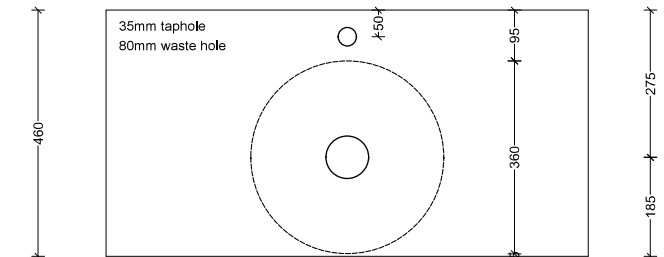


Drawings

Taphole Offset



Taphole Behind



Cut Out Specifications

Approx Capacity: 10L

Cut Out Size: 80mm

Waste Size: 32mm without overflow

Note: Due to the manufacturing process, ceramic basins will vary from their nominal stated sizes. Use the dimensions provided as a guide only. Waste not included. Refer to brochure for pricing.

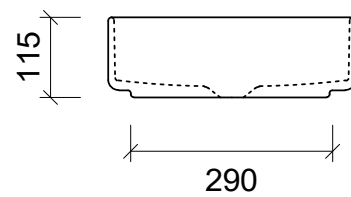
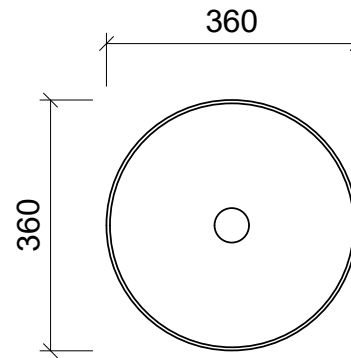
Allure Arrow

WG White Gloss
ALA-BS-360-WG-S

WM White Matt
ALA-BS-360-WM-U

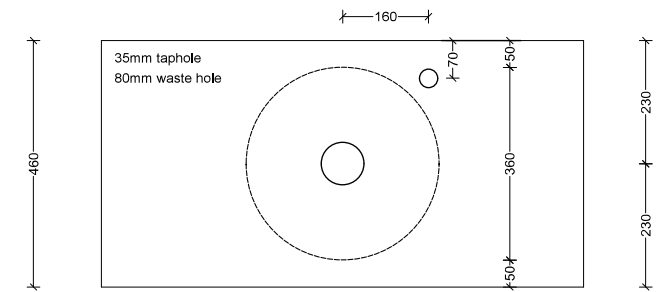


Above Counter

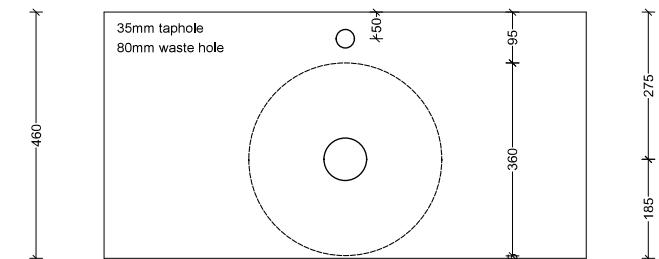


Drawings

Taphole Offset



Taphole Behind



Cut Out Specifications

Approx Capacity: 10L

Cut Out Size: 80mm

Waste Size: 32mm without overflow

Note: Due to the manufacturing process, ceramic basins will vary from their nominal stated sizes. Use the dimensions provided as a guide only. Waste not included. Refer to brochure for pricing.

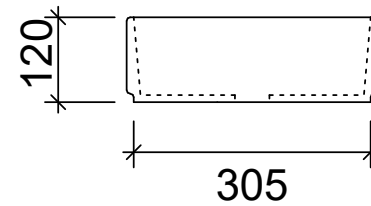
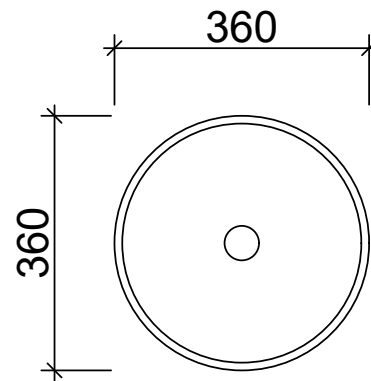
Allure Dimple

WG White Gloss
ALD-BS-360-WG-S

WM White Matt
ALD-BS-360-WM-U

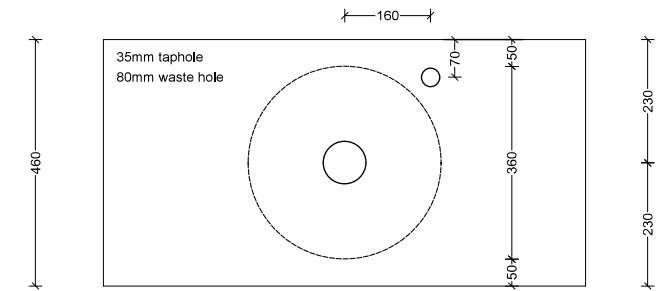


Above Counter

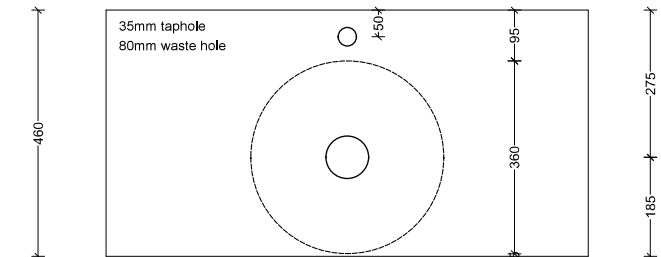


Drawings

Taphole Offset



Taphole Behind



Cut Out Specifications

Approx Capacity: 10L

Cut Out Size: 80mm

Waste Size: 32mm without overflow

Note: Due to the manufacturing process, ceramic basins will vary from their nominal stated sizes. Use the dimensions provided as a guide only. Waste not included. Refer to brochure for pricing.

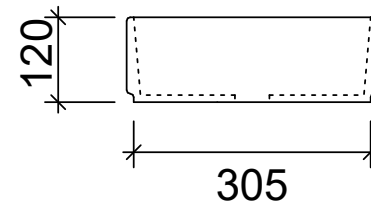
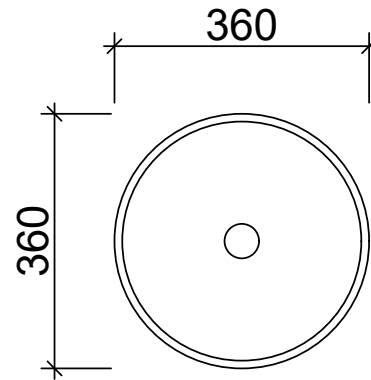
Allure Flute

WG White Gloss
ALF-BS-365-WG-S

WM White Matt
ALF-BS-365-WM-U

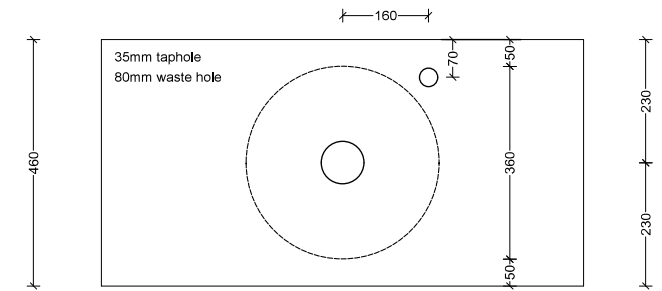


Above Counter

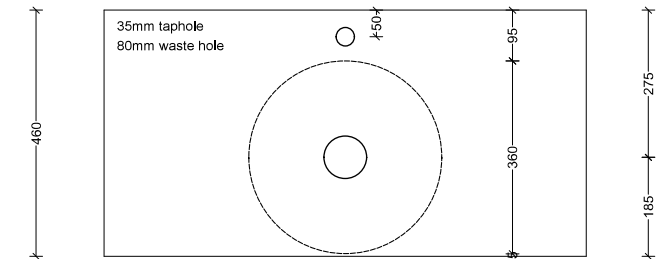


Drawings

Taphole Offset



Taphole Behind



Cut Out Specifications

Approx Capacity: 10L

Cut Out Size: 80mm

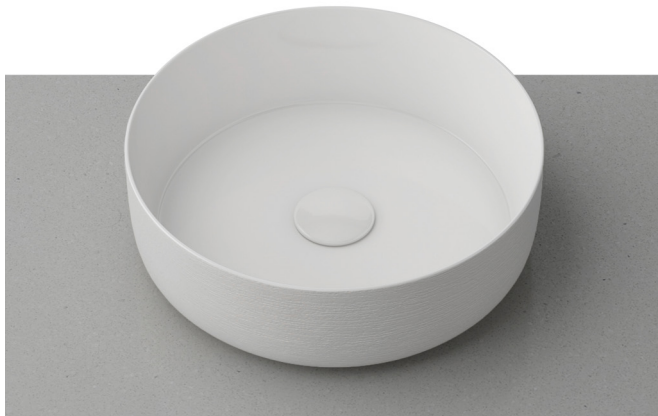
Waste Size: 32mm without overflow

Note: Due to the manufacturing process, ceramic basins will vary from their nominal stated sizes. Use the dimensions provided as a guide only. Waste not included. Refer to brochure for pricing.

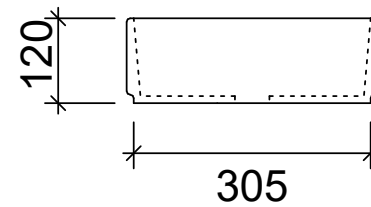
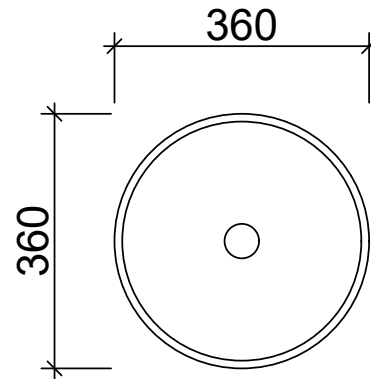
Allure Raked Textured Finish

WG White Gloss
ALR-BS-360-WG-S

WM White Matt
ALR-BS-360-WM-U

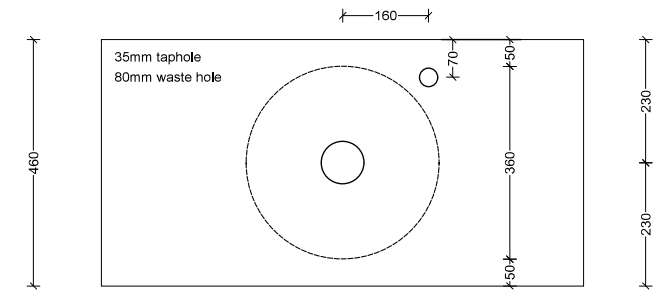


Above Counter

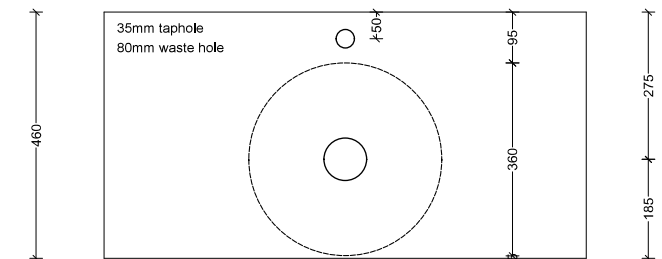


Drawings

Taphole Offset



Taphole Behind



Cut Out Specifications

Approx Capacity: 10L

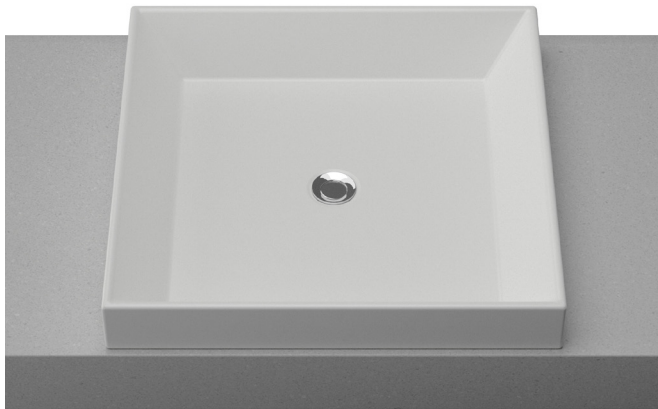
Cut Out Size: 80mm

Waste Size: 32mm without overflow

Note: Due to the manufacturing process, ceramic basins will vary from their nominal stated sizes. Use the dimensions provided as a guide only. Waste not included. Refer to brochure for pricing.

Arcade

WG White Gloss
ARC-BS-400-WG-S



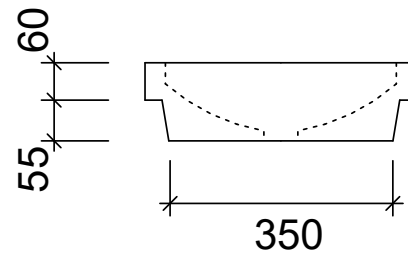
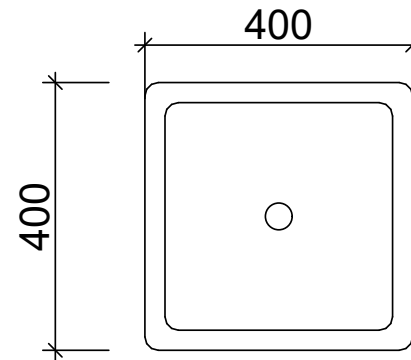
Inset

Approx Capacity: 6L

Cut Out Size: 375w x 375d

Waste Size: 32mm without overflow

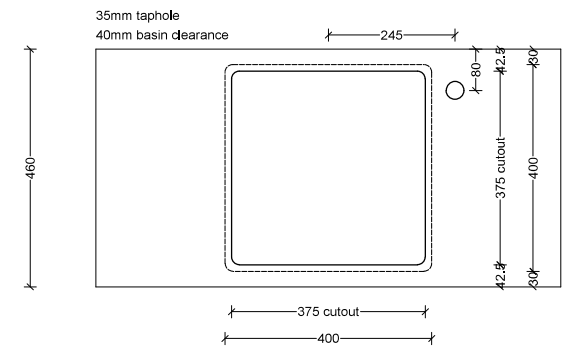
Note: Due to the manufacturing process, ceramic basins will vary from their nominal stated sizes. Use the dimensions provided as a guide only. Waste not included. Refer to brochure for pricing.



Drawings

Taphole Offset

Note: Offset or wall mounted tapware required.



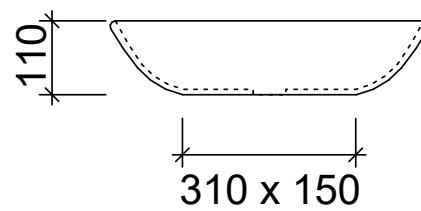
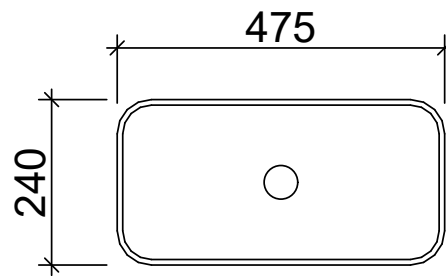
Cut Out Specifications

Bloom

WG White Gloss
BLO-BS-475-WG-S

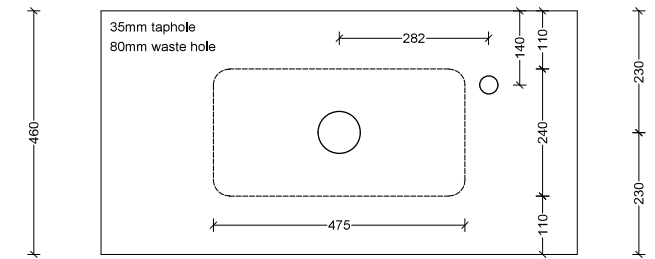


Above Counter

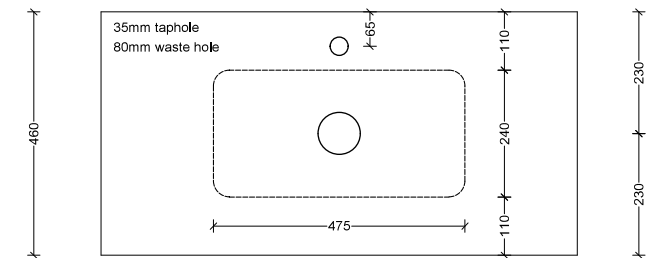


Drawings

Taphole Offset



Taphole Behind



Cut Out Specifications

Approx Capacity: 4L

Cut Out Size: 80mm

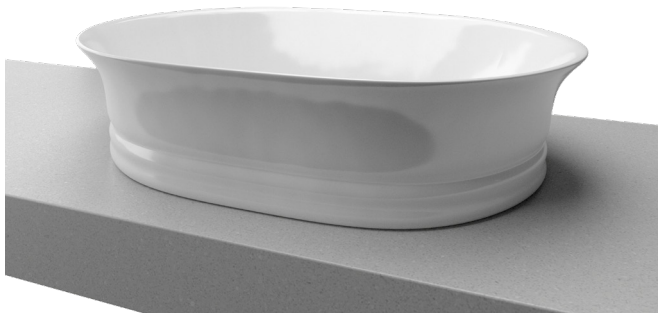
Waste Size: 32mm without overflow

Note: Due to the manufacturing process, ceramic basins will vary from their nominal stated sizes. Use the dimensions provided as a guide only. Waste not included. Refer to brochure for pricing.

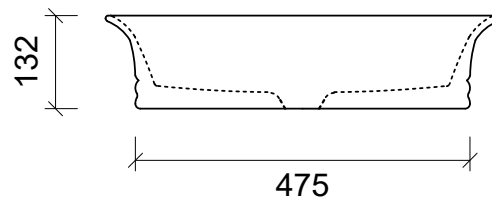
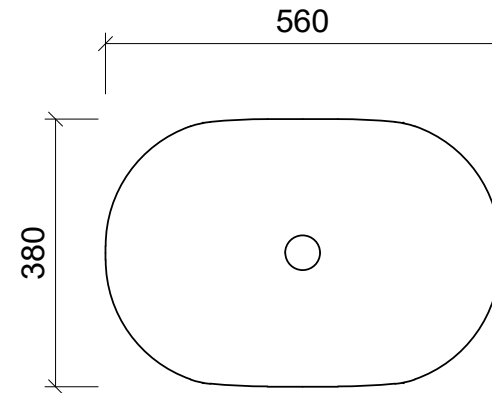
Bonnie

WG White Gloss
BON-BS-560-WG-S

WM White Matt
BON-BS-560-WM-U



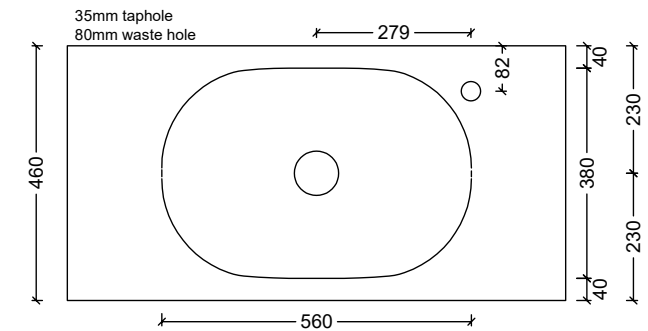
Above Counter



Drawings

Taphole Offset

Note: Offset or wall mounted tapware required.



Cut Out Specifications

Approx Capacity: 12L

Cut Out Size: 80mm

Waste Size: 32mm without overflow

Note: Due to the manufacturing process, ceramic basins will vary from their nominal stated sizes. Use the dimensions provided as a guide only. Waste not included. Refer to brochure for pricing.

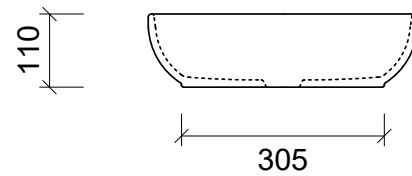
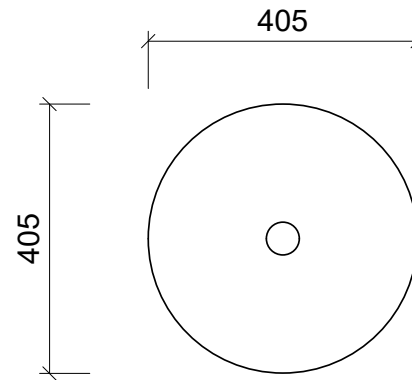
Chase

WG White Gloss
CHA-BS-400-WG-S

WM White Matt
CHA-BS-400-WM-U



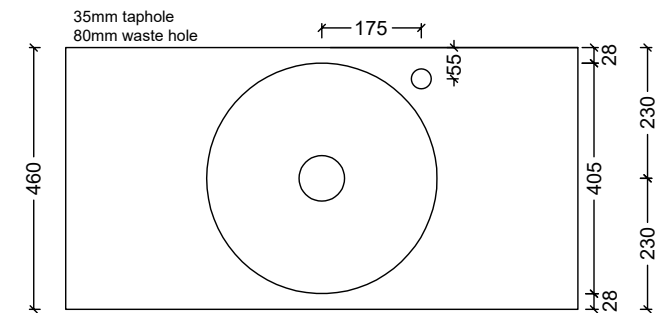
Above Counter



Drawings

Taphole Offset

Note: Offset or wall mounted tapware required.



Cut Out Specifications

Approx Capacity: 5.75L

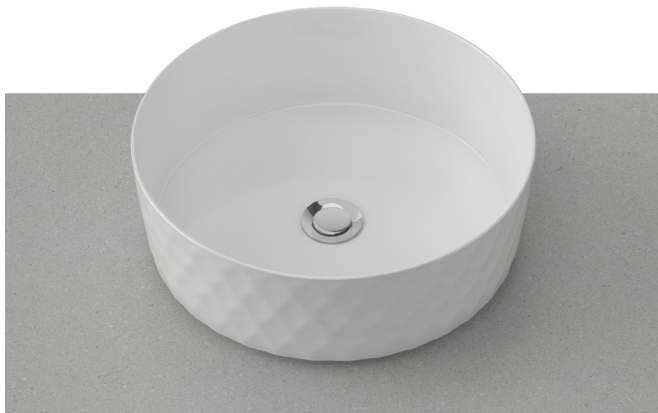
Cut Out Size: 80mm

Waste Size: 32mm without overflow

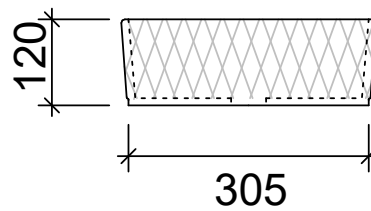
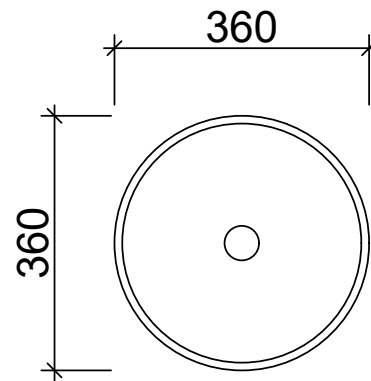
Note: Due to the manufacturing process, ceramic basins will vary from their nominal stated sizes. Use the dimensions provided as a guide only. Waste not included. Refer to brochure for pricing.

Diamond Patterned Finish

WG White Gloss
DIA-BS-360-WG-S

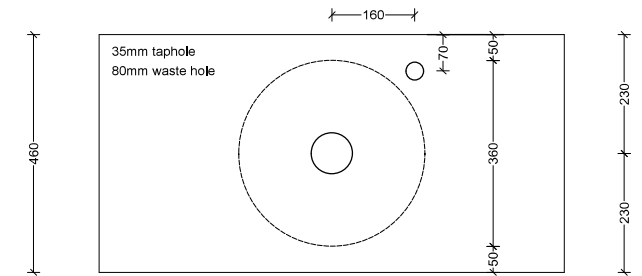


Above Counter

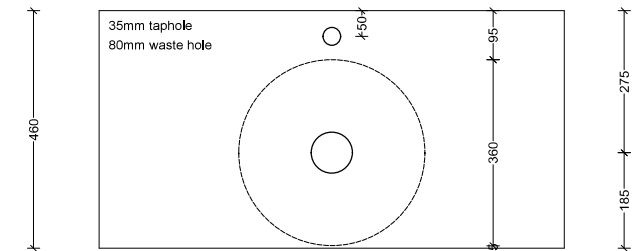


Drawings

Taphole Offset



Taphole Behind



Cut Out Specifications

Approx Capacity: 10L

Cut Out Size: 80mm

Waste Size: 32mm without overflow

Note: Due to the manufacturing process, ceramic basins will vary from their nominal stated sizes. Use the dimensions provided as a guide only. Waste not included. Refer to brochure for pricing.

Elite

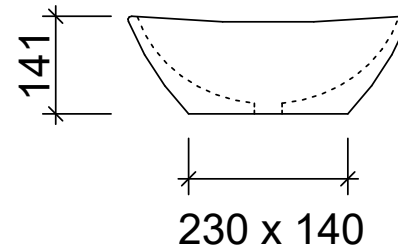
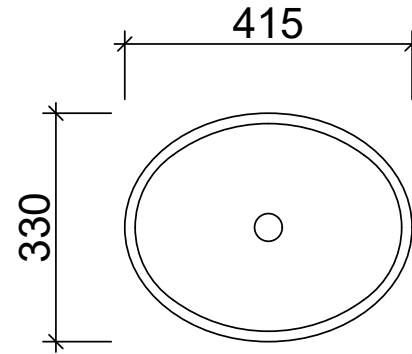
WG White Gloss
ELI-BS-415-WG-S

WM White Matt
ELI-BS-415-WM-U

BM Black Matt
ELI-BS-415-BM-U

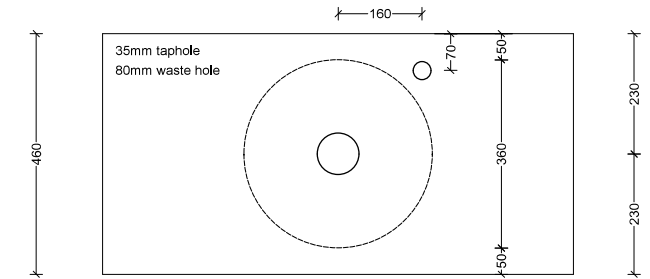


Above Counter

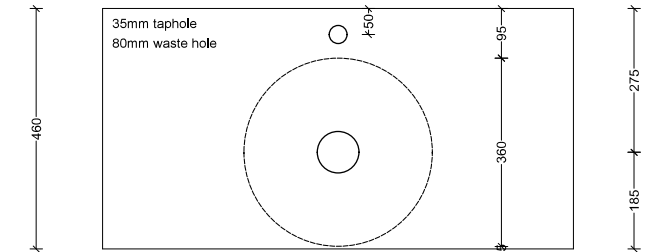


Drawings

Taphole Offset



Taphole Behind



Cut Out Specifications

Approx Capacity: 6L

Cut Out Size: 80mm

Waste Size: 32mm without overflow

Note: Due to the manufacturing process, ceramic basins will vary from their nominal stated sizes. Use the dimensions provided as a guide only. Waste not included. Refer to brochure for pricing.

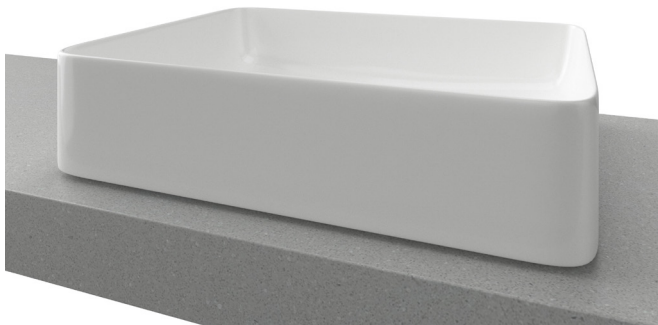
Enchant

WG White Gloss
ENC-BS-500-WG-S

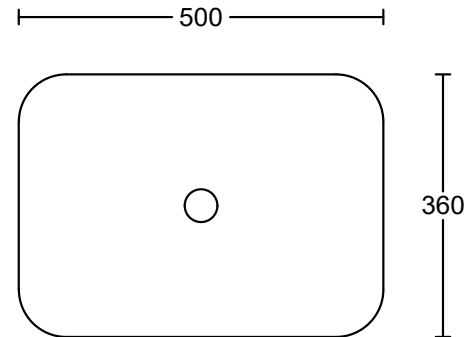
WM White Matt
ENC-BS-500-WM-U

BM Black Matt
ENC-BS-500-BKM-U

GM Grey Matt
ENC-BS-500-GM-U

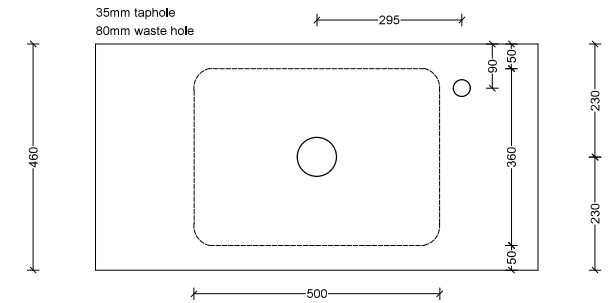


Above Counter

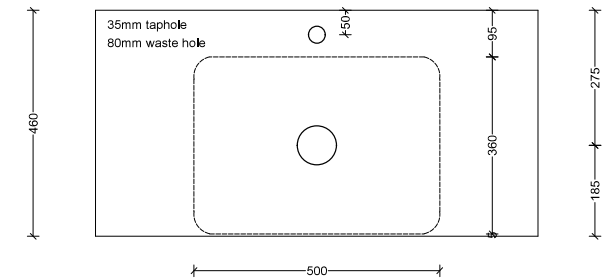


Drawings

Taphole Offset



Taphole Behind



Cut Out Specifications

Approx Capacity: 12L

Cut Out Size: 80mm

Waste Size: 32mm without overflow

Note: Due to the manufacturing process, ceramic basins will vary from their nominal stated sizes. Use the dimensions provided as a guide only. Waste not included. Refer to brochure for pricing.

Feather

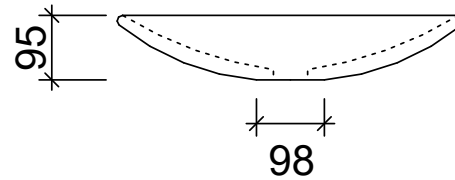
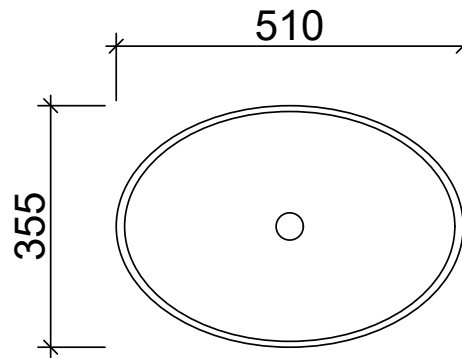
WG White Gloss
FEA-BS-500-WG-S

WM White Matt
FEA-BS-500-WM-U

BM Black Matt
FEA-BS-500-BKM-U

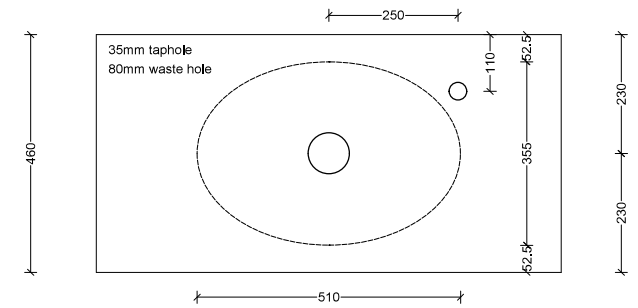


Above Counter

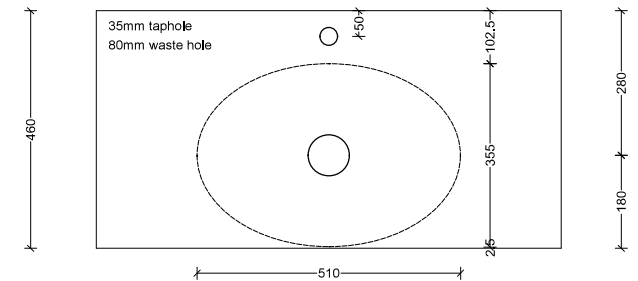


Drawings

Taphole Offset



Taphole Behind



Cut Out Specifications

Approx Capacity: 4.5L

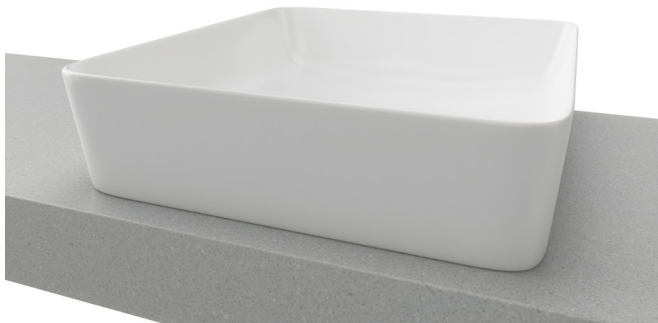
Cut Out Size: 80mm

Waste Size: 32mm without overflow

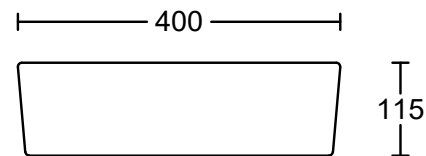
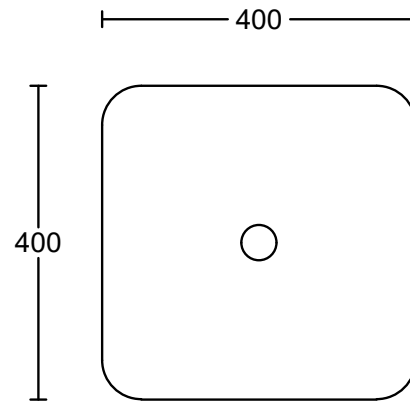
Note: Due to the manufacturing process, ceramic basins will vary from their nominal stated sizes. Use the dimensions provided as a guide only. Waste not included. Refer to brochure for pricing.

Florent

WG White Gloss
FLO-BS-400-WG-S



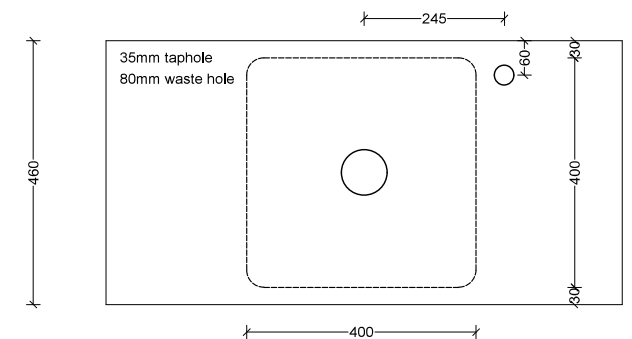
Above Counter



Drawings

Taphole Offset

Note: Offset or wall mounted tapware required.



Cut Out Specifications

Approx Capacity: 11L

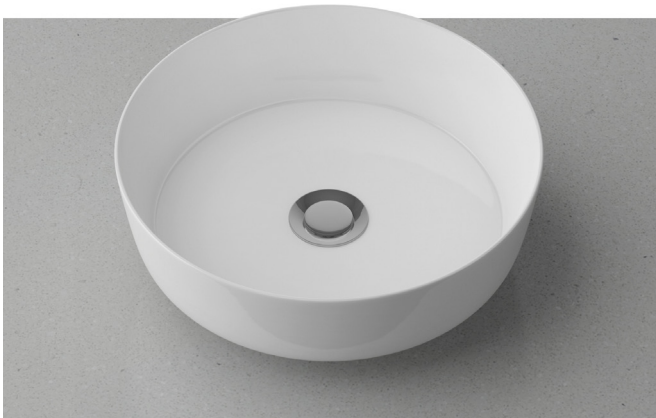
Cut Out Size: 80mm

Waste Size: 32mm without overflow

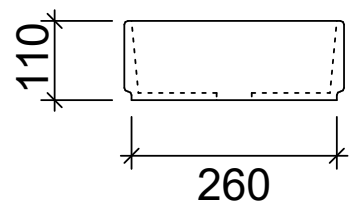
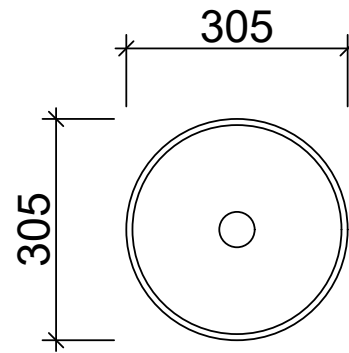
Note: Due to the manufacturing process, ceramic basins will vary from their nominal stated sizes. Use the dimensions provided as a guide only. Waste not included. Refer to brochure for pricing.

Gem

WG White Gloss
GEM-BS-305-WG-S

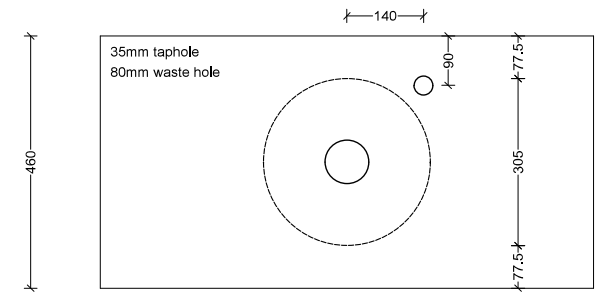


Above Counter

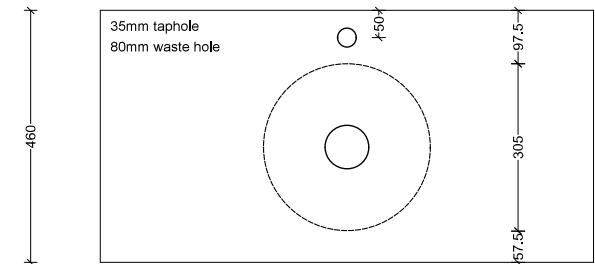


Drawings

Taphole Offset



Taphole Behind



Cut Out Specifications

Approx Capacity: 4.5L

Cut Out Size: 80mm

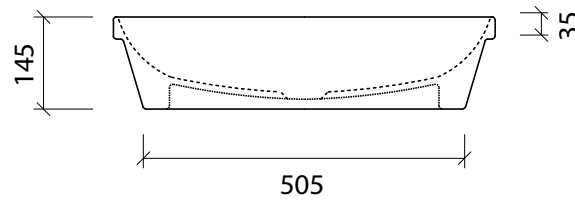
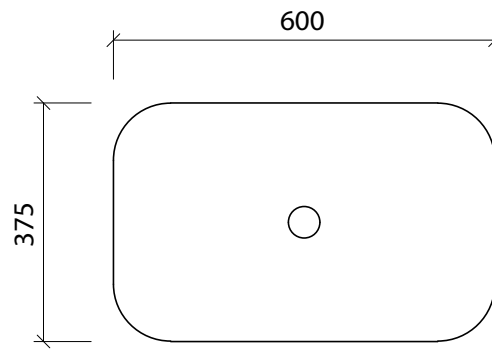
Waste Size: 32mm without overflow

Note: Due to the manufacturing process, ceramic basins will vary from their nominal stated sizes. Use the dimensions provided as a guide only. Waste not included. Refer to brochure for pricing.

George

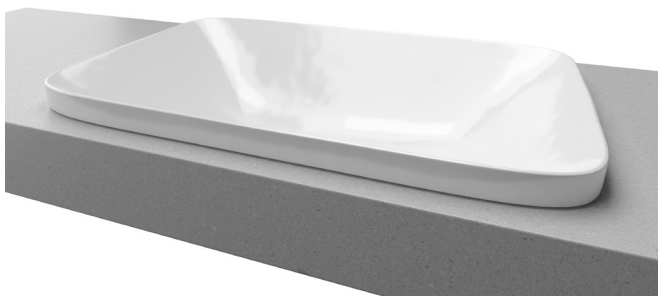
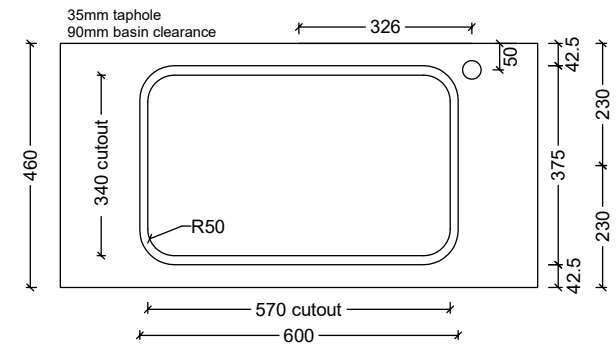
WG White Gloss
GEO-BS-600-WG-S

WM White Matt
GEO-BS-600-WM-U



Taphole Offset

Note: Offset or wall mounted tapware required.



Inset

Drawings

Cut Out Specifications

Approx Capacity: 12.5L

Cut Out Size: 570w x 340d

Waste Size: 32mm without overflow

Note: Due to the manufacturing process, ceramic basins will vary from their nominal stated sizes. Use the dimensions provided as a guide only. Waste not included. Refer to brochure for pricing.

Iconic 420

WG White Gloss
ICN-BS-420-WG-S



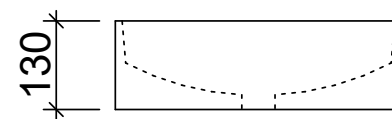
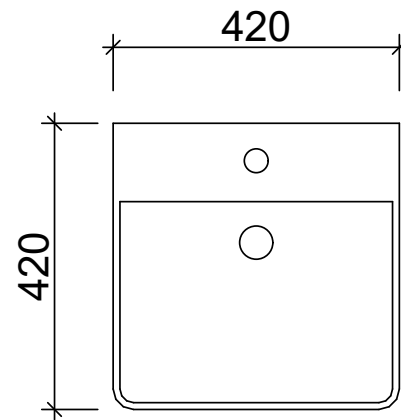
Above Counter

Approx Capacity: 8L

Cut Out Size: 100w x 300d

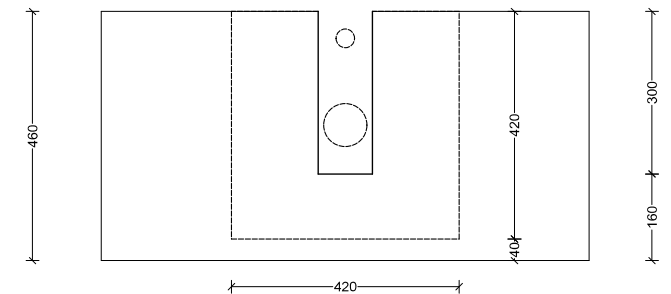
Waste Size: 32mm with overflow

Note: Due to the manufacturing process, ceramic basins will vary from their nominal stated sizes. Use the dimensions provided as a guide only. Waste not included. Refer to brochure for pricing.



Drawings

Taphole Behind



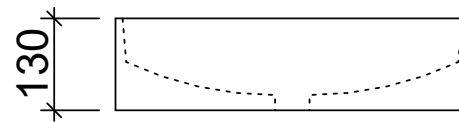
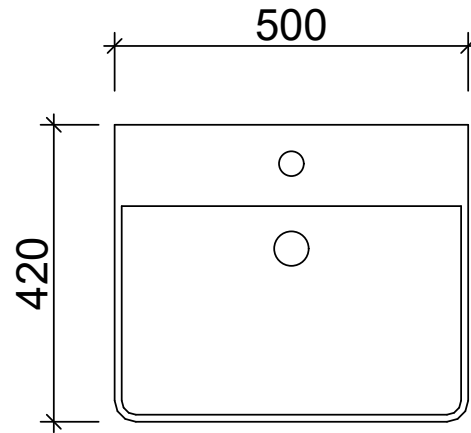
Cut Out Specifications

Iconic 500

WG White Gloss
ICN-BS-500-WG-S

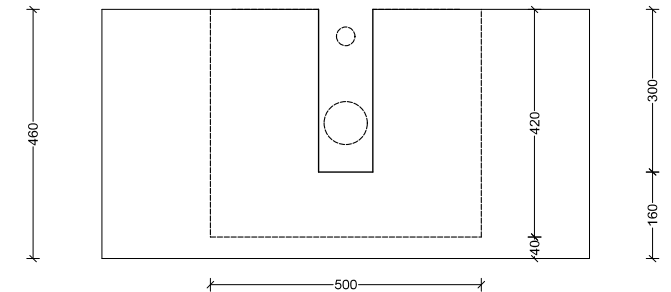


Above Counter



Drawings

Taphole Behind



Cut Out Specifications

Approx Capacity: 9L

Cut Out Size: 100w x 300d

Waste Size: 32mm with overflow

Note: Due to the manufacturing process, ceramic basins will vary from their nominal stated sizes. Use the dimensions provided as a guide only. Waste not included. Refer to brochure for pricing.

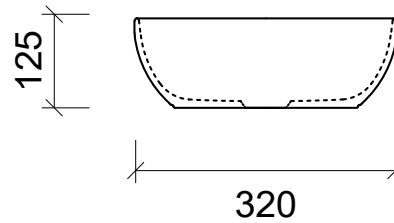
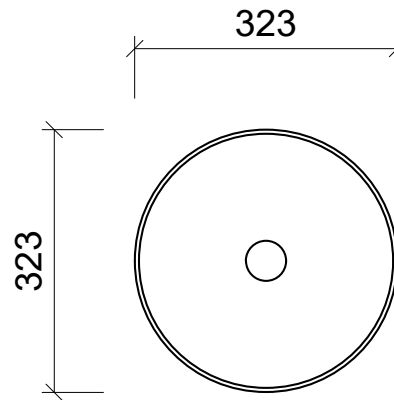
Jessie

WG White Gloss
JES-BS-320-WG-S

WM White Matt
JES-BS-320-WM-U

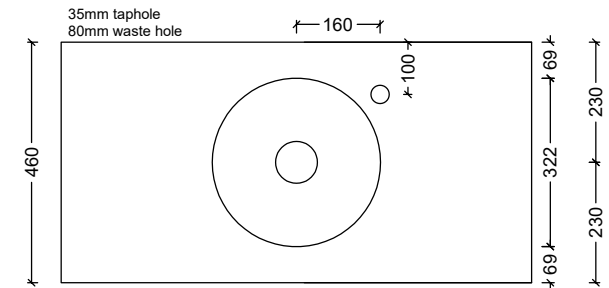


Above Counter

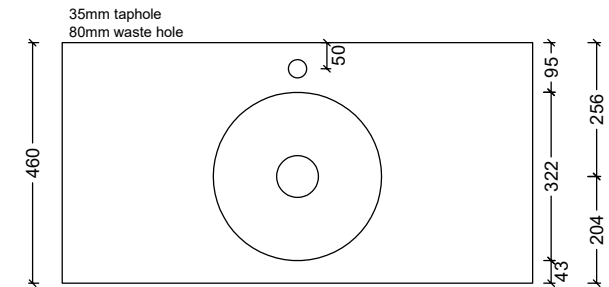


Drawings

Taphole Offset



Taphole Behind



Cut Out Specifications

Approx Capacity: 5.5L

Cut Out Size: 80mm

Waste Size: 32mm without overflow

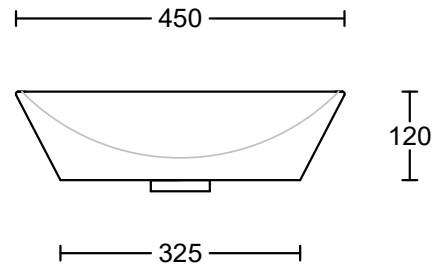
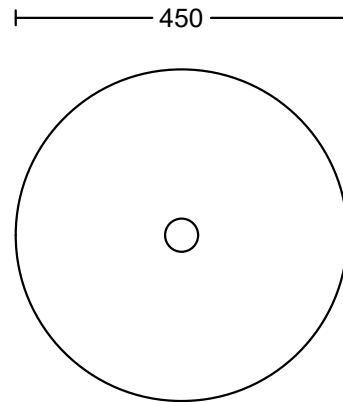
Note: Due to the manufacturing process, ceramic basins will vary from their nominal stated sizes. Use the dimensions provided as a guide only. Waste not included. Refer to brochure for pricing.

Jupiter

WG White Gloss
JUP-BS-450-WG-S



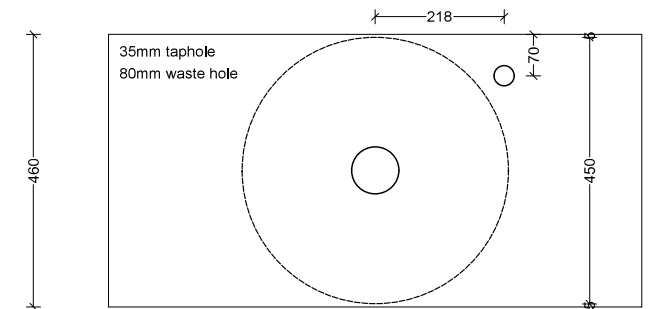
Above Counter



Drawings

Taphole Offset

Note: Offset or wall mounted tapware required.



Cut Out Specifications

Approx Capacity: 5L

Cut Out Size: 80mm

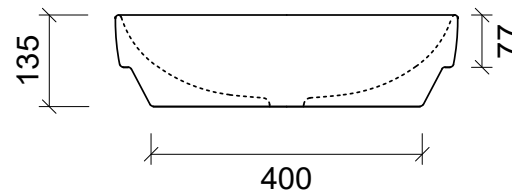
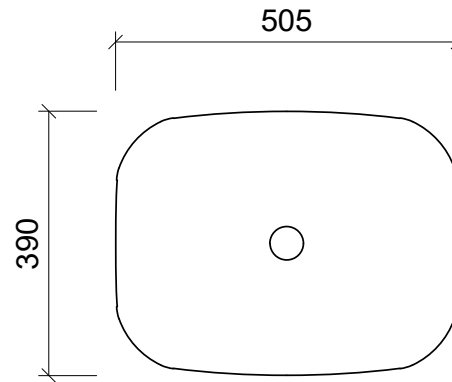
Waste Size: 32mm without overflow

Note: Due to the manufacturing process, ceramic basins will vary from their nominal stated sizes. Use the dimensions provided as a guide only. Waste not included. Refer to brochure for pricing.

Lorenzo

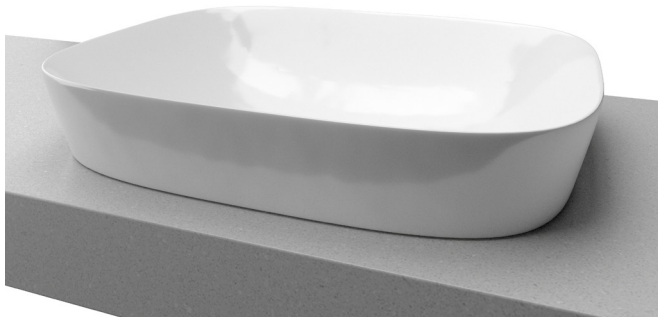
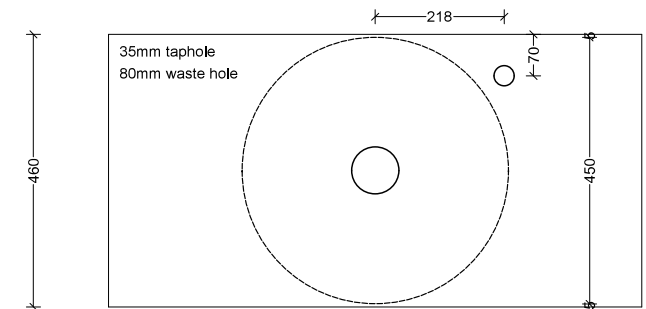
WG White Gloss
LOR-BS-500-WG-S

WM White Matt
LOR-BS-500-WM-U



Taphole Offset

Note: Offset or wall mounted tapware required.



Inset

Drawings

Cut Out Specifications

Approx Capacity: 11L

Cut Out Size: 470w x 346d

Waste Size: 32mm without overflow

Note: Due to the manufacturing process, ceramic basins will vary from their nominal stated sizes. Use the dimensions provided as a guide only. Waste not included. Refer to brochure for pricing.

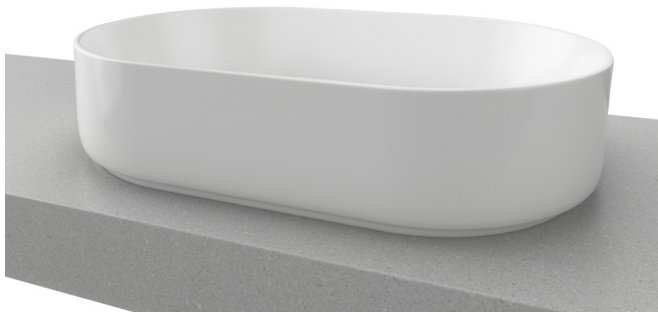
Myrtle

WG White Gloss
MYR-BS-550-WG-S

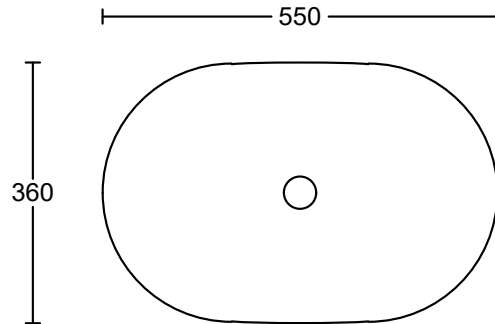
WM White Matt
MYR-BS-550-WM-U

BM Black Matt
MYR-BS-550-BKM-U

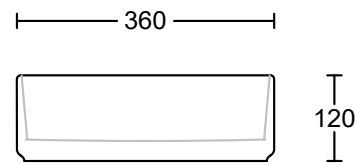
GM Black Matt
MYR-BS-550-GM-U



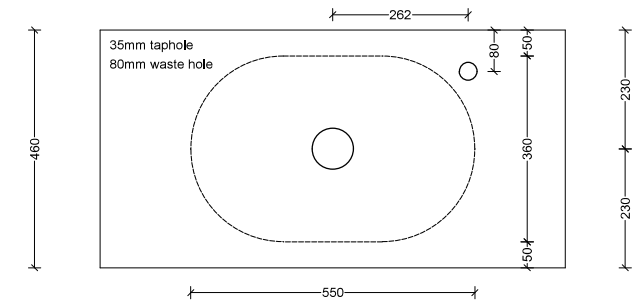
Above Counter



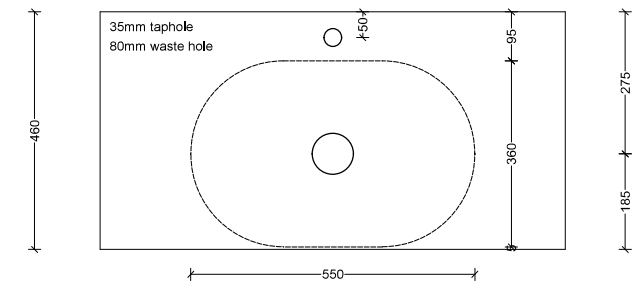
Drawings



Taphole Offset



Taphole Behind



Cut Out Specifications

Approx Capacity: 12L

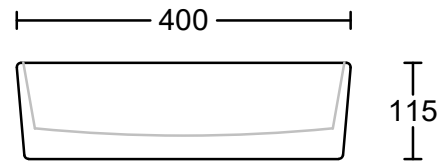
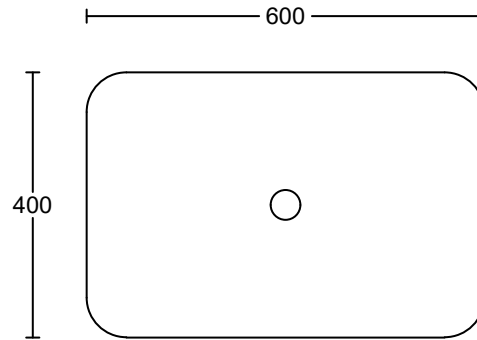
Cut Out Size: 80mm

Waste Size: 32mm without overflow

Note: Due to the manufacturing process, ceramic basins will vary from their nominal stated sizes. Use the dimensions provided as a guide only. Waste not included. Refer to brochure for pricing.

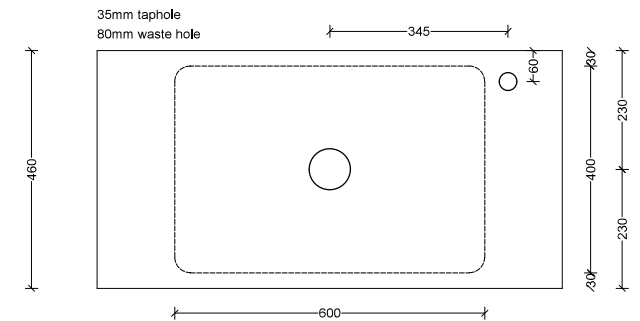
Quill

WG White Gloss
QUI-BS-600-WG-S



Taphole Offset

Note: Offset or wall mounted tapware required.



Above Counter

Drawings

Cut Out Specifications

Approx Capacity: 12L

Cut Out Size: 80mm

Waste Size: 32mm without overflow

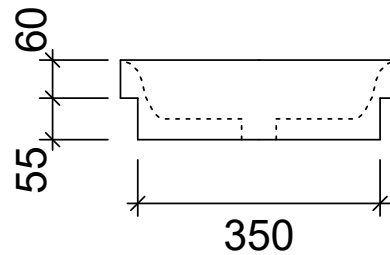
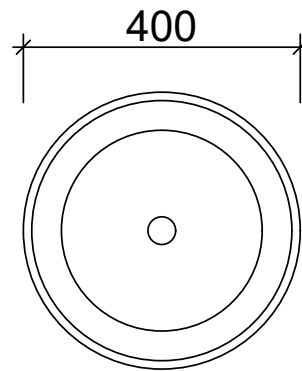
Note: Due to the manufacturing process, ceramic basins will vary from their nominal stated sizes. Use the dimensions provided as a guide only. Waste not included. Refer to brochure for pricing.

Radius

WG White Gloss
RAD-BS-400-WG-S

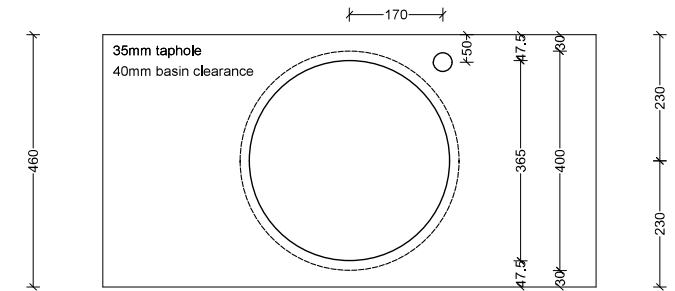
WM White Matt
RAD-BS-400-WM-S

BM Black Matt
RAD-BS-400-BKM-S



Taphole Offset

Note: Offset or wall mounted tapware required.



Inset

Drawings

Cut Out Specifications

Approx Capacity: 6L

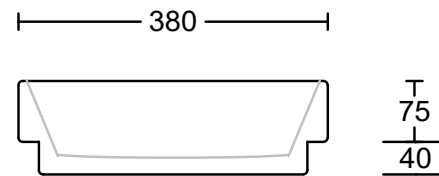
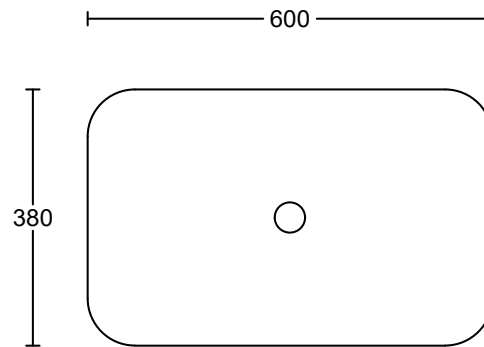
Cut Out Size: 365mm

Waste Size: 32mm without overflow

Note: Due to the manufacturing process, ceramic basins will vary from their nominal stated sizes. Use the dimensions provided as a guide only. Waste not included. Refer to brochure for pricing.

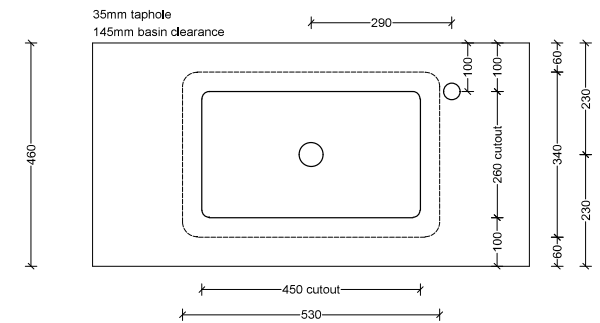
Rome

WG White Gloss
ROM-BS-600-WG-S



Taphole Offset

Note: Offset or wall mounted tapware required.



Inset

Drawings

Cut Out Specifications

Approx Capacity: 11L

Cut Out Size: 555w x 335d

Waste Size: 32mm without overflow

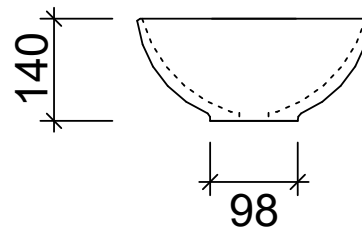
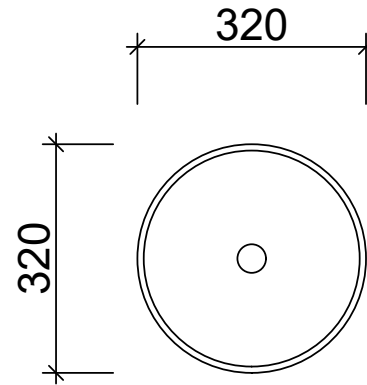
Note: Due to the manufacturing process, ceramic basins will vary from their nominal stated sizes. Use the dimensions provided as a guide only. Waste not included. Refer to brochure for pricing.

Rose

WG White Gloss
ROS-BS-320-WG-S

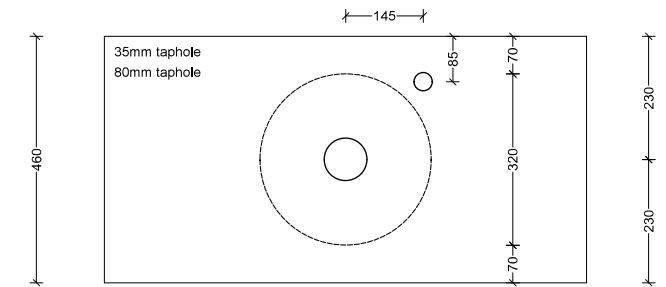


Above Counter

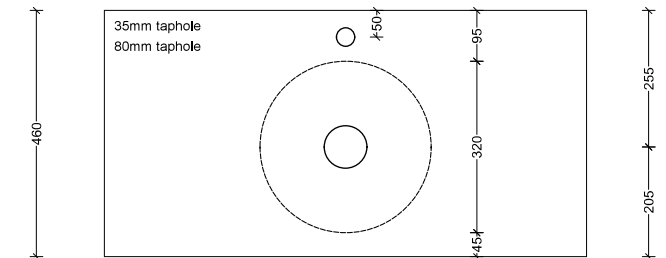


Drawings

Taphole Offset



Taphole Behind



Cut Out Specifications

Approx Capacity: 5L

Cut Out Size: 80mm

Waste Size: 32mm without overflow

Note: Due to the manufacturing process, ceramic basins will vary from their nominal stated sizes. Use the dimensions provided as a guide only. Waste not included. Refer to brochure for pricing.