



Range	Houston 1500
Mount	Wall Hung
Size	1490W x 455D x 470H
SKU	HOU-VCO-1500-R-X-W

TOP DETAILS

Available Tops 1. SilkSurface

NOTES

Revision 01

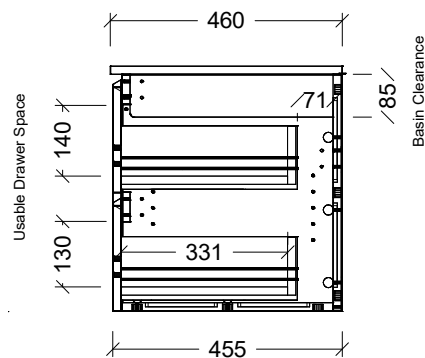
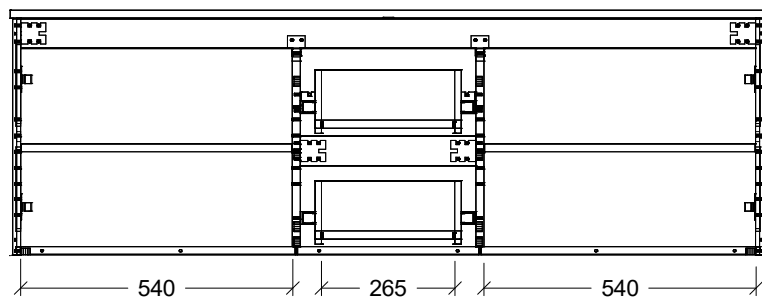
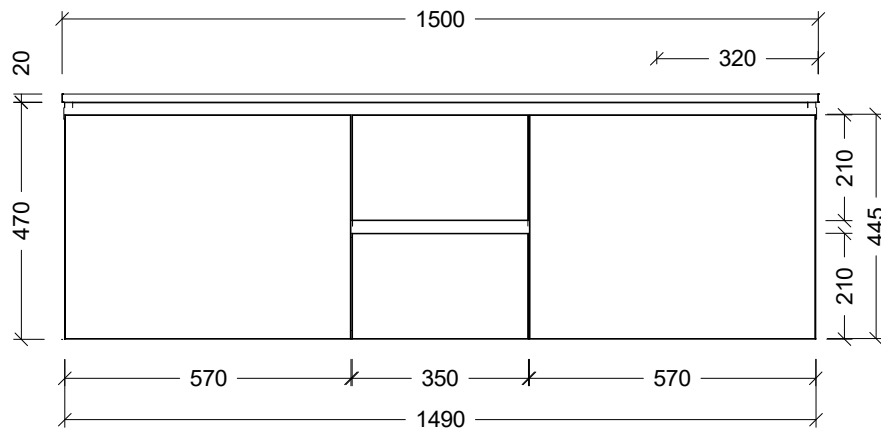
Date 03/04/24

DIMENSIONS SHOWN ARE IN MILLIMETERS, ARE NOMINAL ONLY AND SUBJECT TO CHANGE AT ANY TIME.

DO NOT SCALE DRAWINGS. INSTALLER TO CONFIRM ALL DIMENSIONS ON-SITE PRIOR TO INSTALL.

SIZE VARIATION (+/- 3%) IS TO BE EXPECTED ON CERAMIC TOPS. E&OE.

Copyright ©



Timberline

22 Myrtle Drive, Armidale NSW 2350
www.timberline.com.au
02 6773 8500